



Smokeyjumper Aircraft Screening and Evaluation Board

BLM Proposed Initial Evaluation of the Pilatus PC-12



Oct. 11, 06 - Revised

Previous:

The BLM had provided SASEB with preliminary data on the PC-12 for a possible new jump platform. That effort ended with the cost of the in-flight door being estimated at over 1 million dollars.

Currently:

Pilatus has sold an in-flight jump door to an Australian customer and it is currently in production. There is no provision for a jump step which is being investigated.

Proposal;

The BLM will sponsor the Pilatus in an initial evaluation program to be coordinated with the issue of the STC and Pilatus aircraft prior to the delivery of the door to the Australian customer.

The Jump Door:

- Is installed within the existing cargo door with:
 - ◆ Minor alteration required to the standard aircraft,
 - ◆ Short downtime to swap out cargo doors,
 - ◆ Easily reversible back to standard cargo door configuration.
- Does not interfere with normal cargo door operations.
- Qualifies as an emergency exit under FAR23.
- Pilatus implies that this door will comply with the SASEB requirements with optional accessories...

ACCESSORIES:

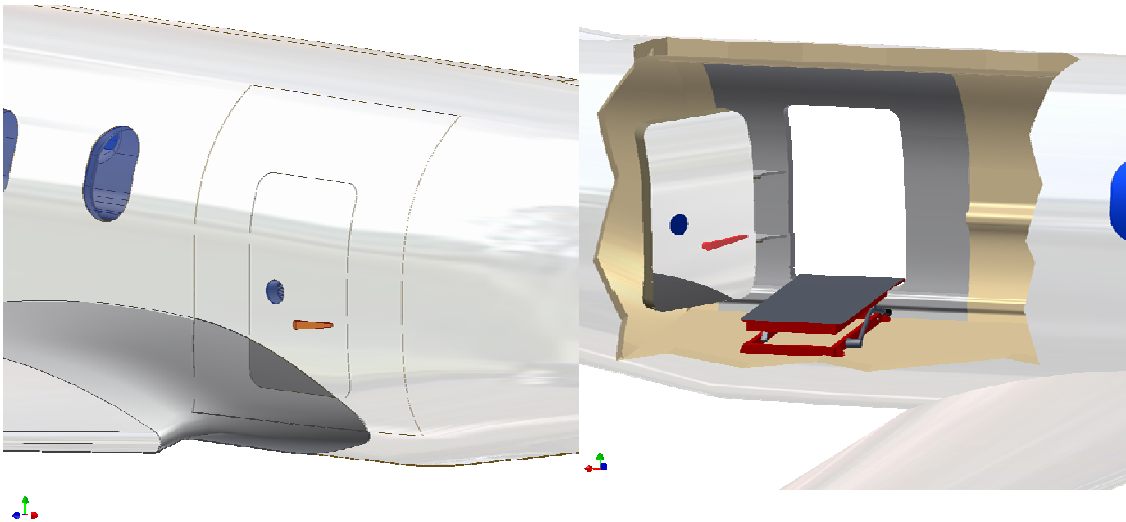
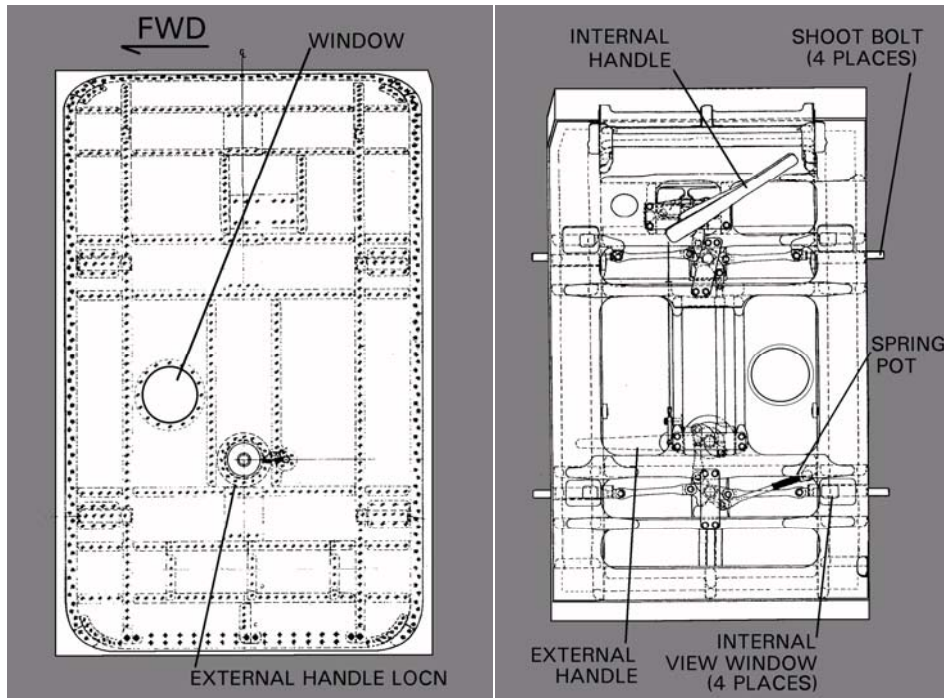
- **Needs to be coordinated and procured through MTDC.**

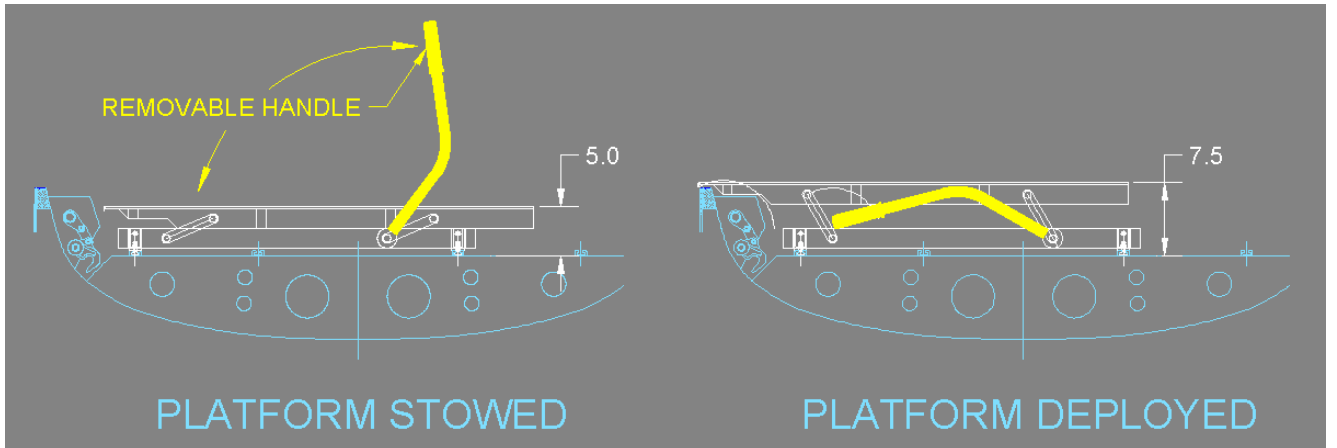
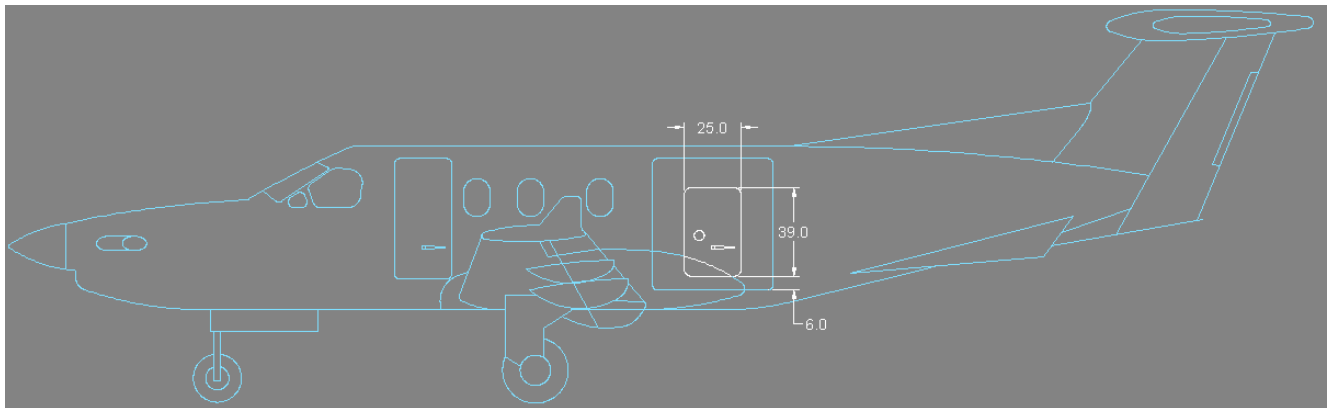
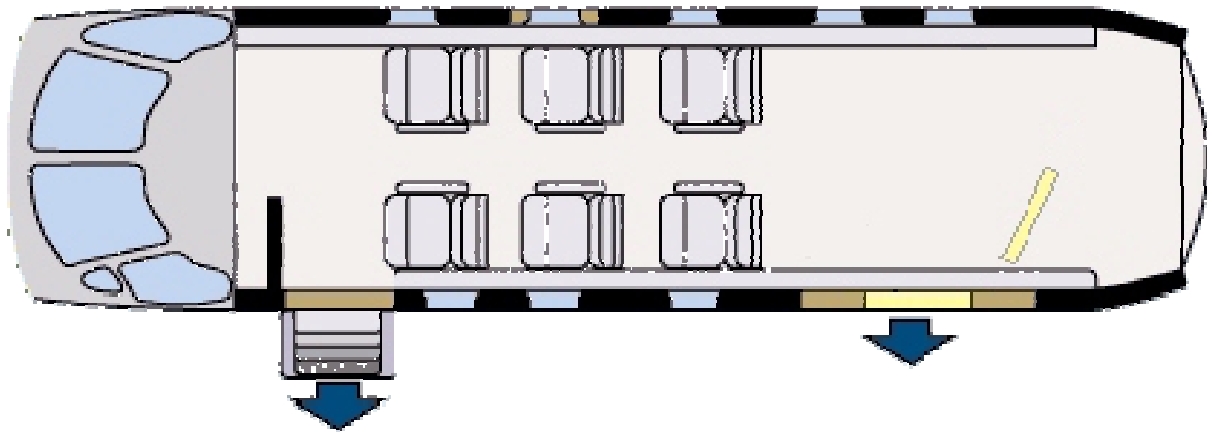
Pilatus description of optional accessories.

- ◆ Retractable Egress Platform,
- ◆ Static Lines,
- ◆ Power Door Operation,

DESCRIPTION

- Left hand side jump door,
- Opening size 635 x 991 mm (25 x 39 inches),
- Integral with existing normal functioning cargo door,
- Opens inwards in excess of 100 degrees,
- Hinged about the aft edge,
- Bottom sill approximately 152 mm (6 inches) above the structural floor level.





SASEB Criteria

See the following documentation.

1. **Support the need for evaluating the PC 12:** The Boise smokejumpers would like to evaluate the Pilatus PC-12 for smokejumper use. This particular aircraft appears to meet all the needs of a smokejumper aircraft for our program. Since the majority of smokejumper aircraft currently in use are out of production, it would be beneficial to get a newer aircraft on the approved list. The PC-12 is currently in production and an in-flight door will be available this fall. This aircraft is pressurized with an in-flight door and considerably faster than any aircraft in our current fleet. An aircraft of this type would be a desirable smokejumper platform if it is on the approved list.

2. **Numbers of PC 12 Aircraft currently operating in the United States:** Currently there are over 550 PC-12 aircraft in the United States with sales increasing every year. The aircraft available to bid would probably exceed 20 however most bids would likely come from current vendors.

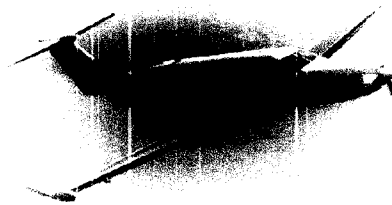
3. **The PC 12 is a highly versatile single engine aircraft:** It is pressurized for passenger comfort and increased altitude performance. The exit door for Smokejumpers would be an “in-flight” door which will allow the aircraft to cruise at a higher altitude’s for better performance, depressurize and allow for Smokejumpers and Paracargo, re-pressurize and return at that higher performance altitude.
 - **The PC 12** is certified for 8 passenger seats.
 - **The PC 12** has a large cargo door.

**Response to
Bureau of Land Management –
National Aviation Office**

**Compliance with SASEB
Requirements**

Pilatus PC-12

September 19, 2002



This information and any attachments are intended only for the person or agency to which it is addressed. It may contain confidential and/or privileged information. Any dissemination, distribution, copying, other use of, or taking any action in reliance upon this document by persons or agencies other than the intended recipient is illegal and prohibited.

Pilatus PC-12

Compliance with SASEB Requirements (compiled by Dave Wodraska / Jim McGowan)

All Aircraft –

Points 1- 4

Pilatus Response:

See Report – Pilatus PC-12 Compliance with SASEB Requirements 2/26/02

Supplemental information for Point 4 – Pilatus Engineering Study of Jumper door has placed dimensions of feasible Jumper door at 34” wide X 48” high.

Single Engine Aircraft –

Point 2 - Power Loading

Pilatus Response:

See Report – Pilatus PC-12 Compliance with SASEB Requirements 2/26/02

Administration Considerations –

Point 3 - Payload Capabilities

Pilatus Response:

See Report – Pilatus PC-12 Compliance with SASEB Requirements 2/26/02

Administration Considerations continued –

Point 4 (a) 1-5 - Range and Cruise Speeds with Operational Loads

Pilatus Response:

See Report – Pilatus PC-12 Compliance with SASEB Requirements 2/26/02

Point 5 - Landing Field Requirements

Pilatus Response:

See Report – Pilatus PC-12 Compliance with SASEB Requirements 2/26/02

Point 6 - Total Aircraft Purchase Cost

Pilatus Response:

See included federal contract No. DEA-01-C-0014 for established federal pricing on Pilatus PC-12 equipped with 9 seat standard interior and IFR avionics. This contract has been made available to other federal agencies for PC-12 procurement, and is of and indefinite delivery / indefinite quantity (ID/IQ) nature. The contract with exercised option periods is valid through June 6, 2006.

Point 7 - Date of Certification / Mfg

Pilatus Response:

The PC-12 received FAA Normal Category Certification on July 15, 1994. The date of manufacture is dependent upon aircraft procured.

Point 8 - Maintenance Support Requirements

Pilatus Response:

See included Pilatus PC-12 Progressive Inspection Program for operators achieving greater annual flight hours. Standard Inspection Items (100 hrs/Annual) have been regrouped, stretched where permitted and spread into six phases and alternating into six mini or minor inspections.

For additional maintenance support requirements, please contact Pilatus with specific informational requirements.

Regards,



**Jim McGowan
Vice President**

Compliance with SASEB Requirements.

All Aircraft.

1. FAA Certified as a Normal or Transport Category Aircraft.
2. FAA Approved to fly with the jumper exit door removed
3. Airspeed at 1.3 V_{stall} (jumper configuration) not to exceed 115 knots
What is this configuration? Gear up/down? Flaps?
4. Jumper door at least 25 inches wide and 36 inches high.

Single Engine Aircraft

2. Power loading at maximum certificated gross weight of 13.2 pounds per horse power or less.

Administration Considerations

3. Payload capabilities - Smokejumper/para cargo, crew and cargo (figured with 2 1/2 hours of fuel on board). Show the maximum number of smokejumpers that can be carried on fire runs. Show the maximum weight of both paracargo and freight loads that can be hauled. Show the number of fully equipped firefighters that can be transported from airport to airport. Show all your calculations and consider cabin volume, floor space, available seating, and weight and balance data for either a typical aircraft, or for a specific aircraft. *

***See attached document for fire load specifics**

Administration Considerations continued

4. Range and cruise speeds with operational loads. Show the range in nautical miles, the cruise speed in knots and the maximum flight duration with the above loads at maximum cruise, normal, cruise and maximum range power settings. Do two sets of calculations based on an airport elevation of sea level and flight altitudes of 2,000 feet MSL and 12,000 feet MSL. Do two more sets of calculations based on an airport elevation of 5,1 feet MSL and flight altitudes of 7,000 feet MSL and 12,000 feet MSL. For all calculations use standard conditions, no wind and 45-minute fuel reserve. Consider any door off performance penalty that may be relevant for smokejumper and paracargo loads. If door off information is not available, estimate any performance reduction and or speed restriction, and your reasoning for the estimate you used. *

- a. We would also like similar take off, climb and cruise performance figures for the following airports and conditions. +35 C , ISA and ISA + 15
 1. Grand Junction Colorado, elevation 4858' MSL, 10,500 feet of runway
 2. Durango Colorado, elevation 6684' MSL and 5,010 feet of runway
 3. Telluride Colorado, elevation 9078' MSL and 6,870 feet of runway
 4. Carson City, Nevada, 4,697 ' MSI and 5,990 feet of runway.
 5. Boise Idaho, elevation 2,868' MSL and 10,000 feet of runway.

***See attached document for fire load specifics**

5. Landing field requirements. For the above listed loads, show standard condition runway equipments for airports at seas level, 5,00 feet MSL and at 84 degrees F, 5,000 feet MSL.
6. Total aircraft purchase cost. List the cost to acquire this aircraft. If new show equipped price with IFR avionics, seats and other normal required equipment. If used, show the range of prices for aircraft in the age class and equipment range that you would contract.
 - a. Estimated contract rates:
 - Rate per hour
 - Daily availability
 - Other costs.

Note: An aircraft Contraction Officer may be able to suggest techniques that help estimate a contract rate.
7. Date of certification and date of manufacture
8. Maintenance support requirements. .



PILATUS PC-12

COMPLIANCE WITH SASEB REQUIREMENTS

2/26/02

PILATUS PC-12 COMPLIANCE WITH SASEB REQUIREMENTS

This report is in response to the FAX transmission of 1/3/02 from Ben Hinkle, BLM, to Jim McGowan, Vice President Government And Fleet Sales, Pilatus Business Aircraft regarding compliance with SASEB requirements. The report addresses section 1 through 5 presented in the FAX.

All Aircraft

- 1 – The PC-12 is FAA Certified as a Normal Category Aircraft.
- 2 – It is the intention of Pilatus to achieve FAA approval to fly the Smokejumper PC-12 with the jumper door open. The Smokejumper door will be able to be opened and closed in flight.
- 3 – Airspeed at 1.3 V_{stall} with maximum takeoff weight 9,920 lb., carrying 15 degree flap, is 99 kts. (KCAS) or 96 kts. (KIAS). Landing gear position has no effect.
- 4 – The PC-12 existing cargo door has a width of 53 inches and a height of 52 inches. A 25 inch wide by 36 inch high Smokejumper door should fit within the cargo door.

Single Engine Aircraft

- 2 – The PC-12 power loading at maximum certificated takeoff gross weight is 8.2 lb./shp.

Administration Considerations

- 3 – Payload Capabilities

In order to determine payload versus range of the Smokejumper PC-12, the following estimated empty operating weight has been developed. Refer to the calculations shown below.

5,534 lb.	Empty Weight (includes Radar Altimeter, Weather Radar System, GPS, Two Rotating Beacons and all other standard equipment listed in the Pilatus PC-12 Guide To Standard And Optional Equipment dated January 2002, with the exception of the nine passenger seats).
2 lb.	Spotter Audio Panel at aft door
16 lb.	Two FM radios
20 lb.	TCAS
5 lb.	Allowance for cables and hardpoints
102 lb.	Three Smokejumper seats (two place each at 34 lb.)
75 lb.	Smokejumper door
<u>400 lb.</u>	Pilot and Spotter
6,154 lb.	Equipped Empty Operating Weight

4 – Range, Cruise Speed And Flight Time With Six Smokejumpers And 707 lb. Of Fire Load Equipment. Power Settings: Max Speed, Long Range (Norm) And Max Endurance (Econ).

Sea Level Takeoff, 2,000 ft. Cruise Altitude, Max Speed

Range, NM	Speed, KTS	Time, Hr : Min
452	234	1 : 57

Sea Level Takeoff, 12,000 ft. Cruise Altitude, Max Speed

Range, NM	Speed, KTS	Time, Hr : Min
597	258	2 : 22

5,000 ft. Elevation Takeoff, 7,000 ft. Cruise Altitude, Max Speed

Range, NM	Speed, KTS	Time, Hr : Min
529	246	2 : 10

5,000 ft. Elevation Takeoff, 12,000 ft. Cruise Altitude, Max Speed

Range, NM	Speed, KTS	Time, Hr : Min
605	257	2 : 22

Sea Level Takeoff, 2,000 ft. Cruise Altitude, Long Range (Norm) Speed

Range, NM	Speed, KTS	Time, Hr : Min
462	214	2 : 10

Sea Level Takeoff, 12,000 Cruise Altitude, Long Range (Norm) Speed

Range, NM	Speed, KTS	Time, Hr : Min
661	217	3 : 03

5,000 ft. Elevation Takeoff, 7,000 ft. Cruise Altitude, Long Range (Norm) Speed

Range, NM	Speed, KTS	Time, Hr : Min
561	216	2 : 36

5,000 ft. Elevation Takeoff, 12,000 ft. Cruise Altitude, Long Range (Norm) Speed

Range, NM	Speed, KTS	Time, Hr : Min
672	217	3 : 05

Sea Level Takeoff, 2,000 ft Cruise Altitude, Max Endurance (Econ) Speed

Range, NM	Speed, KTS	Time, Hr : Min
376	115	3 : 14

Sea Level Takeoff, 12,000 ft Cruise Altitude, Max Endurance (Econ) Speed

Range, NM	Speed, KTS	Time, Hr : Min
599	135	4 : 18

5,000 ft. Elevation Takeoff, 7,000 ft. Cruise Altitude, Max Endurance (Econ) Speed

Range, NM	Speed, KTS	Time, Hr : Min
483	125	3 : 47

5,000 ft. Elevation Takeoff, 12,000 ft. Cruise Altitude, Max Endurance (Econ) Speed

Range, NM	Speed, KTS	Time, Hr : Min
608	135	4 : 22

Note: Max Endurance (Econ) cruise does not produce the longest range. It produces the longest flight time. It is a cruise schedule used in determining something like time on station.

PILATUS PC-12 SMOKEJUMPER MISSIONS

(Computer Generated Using Max Speed Cruise, Long Range Cruise, Max Endurance Cruise)

The following PC-12 Smokejumper profiles provide:

Distance – Range in Nautical Miles

Wind – Zero wind

Takeoff Weight – Based on an empty weight of 5,754 lb., one pilot and one spotter at 200 lb. each, spotter miscellaneous gear at 23 lb., 2,207 lb. of payload (six jumpers = 1,500 lb. + 707 lb. fire load), VFR fuel reserve and all remaining allowable weight in fuel.

Block Time and Fuel – This is actually off to on time and fuel. It includes climb, cruise and descent.

Payload – Six Smokejumpers plus 707 lb. of fire load equipment.

Cruise Altitude – 2,000 ft. and 12,000 ft. from a sea level takeoff. 7,000 ft. and 12,000 ft. from a 5,000 ft. elevation takeoff.

Cruise Power – Maximum for the first computer run, long range (norm) for the second computer run and maximum endurance (econ) for the third computer run.

Reserve Fuel – 45 minutes long range cruise (norm) at 2,000 ft., 7,000 ft. and 12,000 ft. cruise altitude.

PILATUS PC-12
SMOKEJUMPER MISSIONS - Maximum Speed (Max)

ORIGIN DESTINATION	DIST (nm)	WIND (kts)	TAKEOFF WEIGHT (lbs)	---BLOCK--- TIME (hr:mn)	FUEL (lbs)	NUM PAX	ADD'L PYLD (lbs)	TOTAL PYLD (lbs)	CRUISE ALT/PWR (ft)	RESERVE FUEL (lbs)
City A	452	0	9,920	1:57	1,142	0	2,207	2,207	2,000 Max	394 VFR
City A	597	0	9,920	2:22	1,241	0	2,207	2,207	12,000 Max	295 VFR
5000 Elev Takeoff	529	0	9,920	2:10	1,193	0	2,207	2,207	7,000 Max	343 VFR
5000 Elev Takeoff	605	0	9,920	2:22	1,241	0	2,207	2,207	12,000 Max	295 VFR

SMOKEJUMPER MISSION DETAIL – MAXIMUM SPEED (MAX)

Profile #1 – Sea Level Takeoff, 2,000 ft. Cruise Altitude

	Time (Hr : Min)	Fuel (Lb.)	Distance (NM)	Cruise Speed (KTS)
Climb	0 : 02	15	4	
Cruise	1 : 54	1,120	444	234
Descent	0 : 01	7	4	

Profile #2 – Sea Level Takeoff, 12,000 ft. Cruise Altitude

Climb	0 : 10	89	28	
Cruise	2 : 06	1,111	542	258
Descent	0 : 06	41	27	

Profile #3 – 5,000 ft. Elevation Takeoff, 7,000 ft. Cruise Altitude

Climb	0 : 02	15	5	
Cruise	2 : 04	1,153	509	246
Descent	0 : 04	25	15	

Profile #4 – 5,000 ft. Elevation Takeoff, 12,000 ft. Cruise Altitude

Climb	0 : 06	51	18	
Cruise	2 : 11	1,149	561	257
Descent	0 : 06	41	27	

PILATUS PC-12
SMOKEJUMPER MISSIONS - Long Range Cruise (Norm)

ORIGIN DESTINATION	DIST (nm)	WIND (kts)	TAKEOFF WEIGHT (lbs)	---BLOCK--- TIME (hr:mn)	FUEL (lbs)	NUM PAX	ADD'L PYLD (lbs)	TOTAL PYLD (lbs)	CRUISE ALT/PWR (ft)	RESERVE FUEL (lbs)
City A	462	0	9,920	2:10	1,142	0	2,207	2,207	2,000 Norm	394 VFR
City A	661	0	9,920	3:03	1,241	0	2,207	2,207	12,000 Norm	295 VFR
5000 Elev Takeoff	561	0	9,920	2:36	1,193	0	2,207	2,207	7,000 Norm	343 VFR
5000 Elev Takeoff	672	0	9,920	3:05	1,241	0	2,207	2,207	12,000 Norm	295 VFR

SMOKEJUMPER MISSION DETAIL – LONG RANGE CRUISE (NORM)

Profile #1 – Sea Level Takeoff, 2,000 ft. Cruise Altitude

	Time (Hr : Min)	Fuel (Lb.)	Distance (NM)	Cruise Speed (KTS)
Climb	0 : 02	15	4	
Cruise	2 : 08	1,120	454	214
Descent	0 : 01	7	4	

Profile #2 – Sea Level Takeoff, 12,000 ft. Cruise Altitude

Climb	0 : 10	89	28	
Cruise	2 : 48	1,111	607	217
Descent	0 : 06	41	27	

Profile #3 – 5,000 ft. Elevation Takeoff, 7,000 ft. Cruise Altitude

Climb	0 : 02	15	5	
Cruise	2 : 31	1,153	541	216
Descent	0 : 04	25	15	

Profile #4 – 5,000 ft. Elevation Takeoff, 12,000 ft. Cruise Altitude

Climb	0 : 06	51	18	
Cruise	2 : 54	1,149	627	217
Descent	0 : 06	41	27	

PILATUS PC-12
SMOKEJUMPER MISSIONS - Maximum Endurance (Econ.)

ORIGIN DESTINATION	DIST (nm)	WIND (kts)	TAKEOFF WEIGHT (lbs)	---BLOCK--- TIME (hr:mn)	FUEL (lbs)	NUM PAX	ADD'L PYLD (lbs)	TOTAL PYLD (lbs)	CRUISE ALT/PWR (ft)	RESERVE FUEL (lbs)
City A	376	0	9,920	3:14	1,142	0	2,207	2,207	2,000 Econ	394 VFR
City A	599	0	9,920	4:18	1,241	0	2,207	2,207	12,000 Econ	295 VFR
5000 Elev Takeoff	483	0	9,920	3:47	1,193	0	2,207	2,207	7,000 Econ	343 VFR
5000 Elev Takeoff	608	0	9,920	4:22	1,241	0	2,207	2,207	12,000 Econ	295 VFR

SMOKEJUMPER MISSION DETAIL – MAXIMUM ENDURANCE (ECON)

Profile #1 – Sea Level Takeoff, 2,000 ft. Cruise Altitude

	Time (Hr : Min)	Fuel (Lb.)	Distance (NM)	Cruise Speed (KTS)
Climb	0 : 02	15	4	
Cruise	3 : 12	1,120	368	115
Descent	0 : 01	7	4	

Profile #2 – Sea Level Takeoff, 12,000 ft. Cruise Altitude

Climb	0 : 10	89	28	
Cruise	4 : 02	1,111	545	135
Descent	0 : 06	41	27	

Profile #3 – 5,000 ft. Elevation Takeoff, 7,000 ft. Cruise Altitude

Climb	0 : 02	15	5	
Cruise	3 : 42	1,153	463	125
Descent	0 : 04	25	15	

Profile #4 – 5,000 ft. Elevation Takeoff, 12,000 ft. Cruise Altitude

Climb	0 : 06	51	18	
Cruise	4 : 10	1,149	563	135
Descent	0 : 06	41	27	

4a – Takeoff Performance

Takeoff distance at ISA, ISA + 15 deg C and + 35 deg C for Grand Junction, CO, Durango, CO, Telluride, CO, Carson City, NV and Boise, ID.

PC-12 TAKEOFF DISTANCE TO 50 FT HEIGHT (At 9,920 lb. Maximum Takeoff Weight)

	ISA	ISA + 15C	+35C
Grand Junction, CO	3,250 ft.	3,600 ft.	4,250 ft.
Durango, CO	3,700 ft.	4,200 ft.	5,200 ft.
Telluride, CO	4,500 ft.	5,200 ft.	6,870 ft.*
Carson City, NV	3,200 ft.	3,550 ft.	4,150 ft.
Boise, ID	2,800 ft.	3,150 ft.	3,450 ft.

* Takeoff weight limited to 9,750 lb.

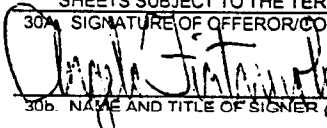
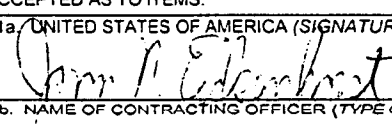
5 – Landing Performance

Landing distance at ISA and 29 deg C (84 deg F) for sea level and 5,000 ft. elevation.

PC-12 LANDING DISTANCE FROM 50 FT. HEIGHT (At 9,920 lb. Maximum Landing Weight)

	ISA	29 deg C
Sea Level	2,160 ft. (1,830 ft.)	2,240 ft. (1,890 ft.)
5,000 ft. Elevation	2,420 ft. (2,030 ft.)	2,590 ft. (2,160 ft.)

() Using thrust reverse

SOLICITATION/CONTRACT/ORDER FOR COMMERCIAL ITEMS <i>OFFEROR TO COMPLETE BLOCKS 12, 17, 23, 24, & 30</i>				1. REQUISITION NUMBER		PAGE 1 OF 17	
2. CONTRACT NO. DEA-01-C-0014		3. AWARD/EFFECTIVE DATE Blk 31c		4. ORDER NUMBER		5. SOLICITATION NO. DEA-01-R-0002	
7. FOR SOLICITATION INFORMATION CALL:		a. NAME HERBERT STERLING				b. TELEPHONE NUMBER (No collect calls) 202-307-7812	
9. ISSUED BY: Department of Justice Drug Enforcement Administration Office of Acquisition Management Attn: HERBERT STERLING Washington, DC 20537				10. THIS ACQUISITION IS <input checked="" type="checkbox"/> UNRESTRICTED <input type="checkbox"/> SETASIDE: ___% FOR <input type="checkbox"/> SMALL BUSINESS <input type="checkbox"/> SM. DIS BUSINESS <input type="checkbox"/> 8(A)		11. DELIVERY FOR FOB DESTINATION UNLESS BLOCK IS MARKED <input checked="" type="checkbox"/> SEE SOW <input type="checkbox"/> 13a. THIS CONTRACT IS A RATED ORDER UNDER DPAS (15 CFR 700)	
15. DELIVER TO DEA Office of Aviation 2300 Horizon Road Fort Worth, TX 76177				16. ADMINISTERED BY Same as block 9		12. DISCOUNT TERMS	
17a. CONTRACTOR/OFFEROR Pilatus Business Aircraft, Ltd. 11755 Airport Way Broomfield, CO 80021 TELEPHONE NO. (303) 438-5972				18a. PAYMENT WILL BE MADE BY Drug Enforcement Administration Office of Finance/Payment Unit Washington, DC 20537			
<input type="checkbox"/> 17b. CHECK IF REMITTANCE IS DIFFERENT AND PUT SUCH ADDRESS IN OFFER				18b. SUBMIT INVOICES TO ADDRESS SHOWN IN BLOCK 18a. UNLESS BLOCK BELOW IS CHECKED <input type="checkbox"/> SEE ADDENDUM			
19. M NO.		20. SCHEDULE OF SUPPLIES/SERVICES		21. QTY		22. UNIT	
		Single Engine Turbo Prop Utility Aircraft (see attached SOW) Individual delivery orders will be issued for each Aircraft.					
				23. UNIT PRICE		24. AMOUNT	
25. ACCOUNTING AND APPROPRIATION DATA TO BE DETERMINED				26. TOTAL AWARD AMOUNT (For Govt. Use Only)			
<input type="checkbox"/> 27a. SOLICITATION INCORPORATES BY REFERENCE FAR 52.212-1, FAR 52.212-3 AND 52.212-5 ARE ATTACHED. ADDENDA				<input type="checkbox"/> ARE <input type="checkbox"/> ARE NOT ATTACHED.			
<input type="checkbox"/> 27b. CONTRACT/PURCHASE ORDER INCORPORATES BY REFERENCE FAR 52.212-1, FAR 52.212-5 IS ATTACHED. ADDENDA				<input type="checkbox"/> ARE <input type="checkbox"/> ARE NOT ATTACHED.			
28. CONTRACTOR IS REQUIRED TO SIGN THIS DOCUMENT AND RETURN <u>3</u> COPIES <input type="checkbox"/> TO ISSUING OFFICE, CONTRACTOR AGREES TO FURNISH AND DELIVER ALL ITEMS SET FORTH OR OTHERWISE IDENTIFIED ABOVE AND ON ANY ADDITIONAL SHEETS SUBJECT TO THE TERMS AND CONDITIONS SPECIFIED HEREIN.				29. AWARD OF CONTRACT: REFERENCE _____ OFFER <input type="checkbox"/> DATED _____ YOUR OFFER ON SOLICITATION (BLOCK 5) INCLUDING ANY ADDITIONS OR CHANGES WHICH ARE SET FORTH HEREIN IS ACCEPTED AS TO ITEMS:			
30a. SIGNATURE OF OFFEROR/CONTRACTOR 				31a. UNITED STATES OF AMERICA (SIGNATURE OF CONTRACTING OFFICER) 			
30b. NAME AND TITLE OF SIGNER (TYPE OR PRINT) Angelo Fidiaruolo, President & CEO Martha Geissshuesler, Manager Aircraft Finance		30c. DATE SIGNED January 8, 2001		31b. NAME OF CONTRACTING OFFICER (TYPE OR PRINT) Jason N. Eickenhorst		31c. DATE SIGNED 2/7/01	
32a. QUANTITY IN COLUMN 21 HAS BEEN <input type="checkbox"/> RECEIVED <input type="checkbox"/> INSPECTED <input type="checkbox"/> ACCEPTED, AND CONFORMS TO THE CONTRACT, EXCEPT AS NOTED				33. SHIP NUMBER		34. VOUCHER NUMBER	
32b. SIGNATURE OF AUTHORIZED GOVT. REPRESENTATIVE				35. AMOUNT VERIFIED CORRECT FOR <input type="checkbox"/> PARTIAL <input type="checkbox"/> FINAL		36. PAYMENT <input type="checkbox"/> COMPLETE <input type="checkbox"/> PARTIAL <input type="checkbox"/> FINAL	
32c. DATE				37. CHECK NUMBER		38. S/R ACCOUNT NUMBER	
41a. I CERTIFY THIS ACCOUNT IS CORRECT AND PROPER FOR PAYMENT SIGNATURE AND TITLE OF CERTIFYING OFFICER				39. S/R VOUCHER NUMBER		40. PAID BY	
41c. DATE				42a. RECEIVED BY (Print)			
				42b. RECEIVED AT (Location)			
				42c. DATE REC'D (YY/MM/DD)		42d. TOTAL CONTAINERS	

AUTHORIZED FOR LOCAL REPRODUCTION

COMPUTER-GENERATED

STANDARD FORM 1449 (10-95)
Prescribed By GSA FAR (48CFR) 53.212

Standard Form 1449 – Continuation

Block 18b: Submit invoices to the person(s) specified in the clause entitled "Contracting Officer's Technical Representative" in accordance with the clause entitled "Invoice Requirements."

Blocks 19-24: Schedule of Supplies/Services (see attached Statement of Work)**Base Period: June 7, 2001 through June 6, 2002**

19. Item No.	20. Schedule of Supplies/Services	21. Quantity	22. Unit	23. Unit Price	24. Amount
0001	Single Engine Turboprop Utility Aircraft	1	EA	\$3,304,760.00*	\$3,304,760.00*

Option Period I: June 7, 2002 through June 6, 2003

19. Item No.	20. Schedule of Supplies/Services	21. Quantity	22. Unit	23. Unit Price	24. Amount
1001	Single Engine Turboprop Utility Aircraft	1	EA	\$3,390,669.00*	\$3,390,669.00*

Option Period II: June 7, 2003 through June 6, 2004

19. Item No.	20. Schedule of Supplies/Services	21. Quantity	22. Unit	23. Unit Price	24. Amount
2001	Single Engine Turboprop Utility Aircraft	1	EA	\$3,458,482.00*	\$3,458,482.00*

Option Period III: June 7, 2004 through June 6, 2005

19. Item No.	20. Schedule of Supplies/Services	21. Quantity	22. Unit	23. Unit Price	24. Amount
3001	Single Engine Turboprop Utility Aircraft	1	EA	\$3,527,985.00*	\$3,527,985.00*

Option Period IV: June 7, 2005 through June 6, 2006

19. Item No.	20. Schedule of Supplies/Services	21. Quantity	22. Unit	23. Unit Price	24. Amount
4001	Single Engine Turboprop Utility Aircraft	1	EA	\$3,598,205.00*	\$3,598,205.00*

Aircraft Quantity Discount

Quantity of aircraft ordered over a period of five (5) years	*Percent % of Cumulative Discount
1 st Aircraft Ordered	0
2 nd Aircraft Ordered	1%
3 rd Aircraft Ordered	1.5%
4 th Aircraft Ordered	1.5%
5 th Aircraft Ordered	2%
6 th Aircraft Ordered	2.5%

* The above discount provided by Pilatus Business Aircraft is cumulative, with no discount for the first aircraft purchased. Discounts are provided with the purchase of the second aircraft and all subsequent purchases thereafter. The discount ceiling for the discount regardless of the number purchased beyond six (6) aircrafts is 2.5%.

Statement of Work/Specifications

INTRODUCTION

The Drug Enforcement Administration has a requirement for a single engine turboprop utility aircraft to support DEA missions. The aircraft is required to be modified as set forth below.

SCOPE OF WORK

The Contractor shall provide a single engine turboprop utility aircraft (same or equivalent equipment) that is modified in accordance with the requirements set forth herein. At time of delivery at the Contractor's facility, the aircraft will be in flyaway condition.

The Government reserves the right to purchase, as an option, a single engine turboprop aircraft with 420 flight hours. This aircraft shall be considered new and come with the Contractor's New Aircraft Warranty.

COMPLIANCE WITH FEDERAL AVIATION REGULATIONS

The requirements of Federal Aviation Regulation Parts 21, 23, 33, 36, and 43 shall be applicable to the modified aircraft in order to obtain FAA certification. ARINC Characteristics 561, Code of Federal Regulations 40, and FAA Advisory Circular 90-45A are also applicable.

GENERAL REQUIREMENTS

Typical flights will be medium range (400 – 800 nautical miles). The aircraft shall be FAA certified with a FAA Supplemental Type Certificate (STC) on any non-standard options. The STC shall cover all unique aspects of the options described herein and shall be supplemental to the basic FAA Regulation Part 23 certification of the standard aircraft. The Standard Airworthiness Certificate (SAC) & STC shall be requirements for this aircraft.

SPECIFIC REQUIREMENTS

The aircraft shall have the following mandatory requirements:

- Single engine turboprop utility;
- Certified for VFR day, VFR night, IFR day (including CAT1 approaches), IFR night (including CAT1 approaches), and flight into known icing conditions;
- Environmental Control System (ECS) that is capable of maintaining cabin pressurization of 8,000 feet at operating service altitude;
- Capable of performing a variety of missions, including passenger transport, cargo transport, or a combination of both; soft field; short field; and unimproved airfield operations;
- Payload of pilot and co-pilot plus up to nine (9) passengers or 3,000 lbs. of cargo, or a combination of passengers/cargo;
- Passenger seats that are easily removed/installed in order to facilitate the configuration requirements of each mission;

- Cargo door – minimum of 4' x 4' size;
- Configuration to cargo or passenger/cargo combination, including cargo tie down/securing shall be easily accomplished;
- Painted in accordance with best commercial practices utilizing a polyurethane base paint;
- Aircraft shall include the following loose equipment: (a) ground steering/tow bar; (b) all protective covers/plugs/prop harness; and (c) adapters required to jack, level, and service the aircraft.

SPECIALIZED REQUIREMENTS

Aircraft Flight Performance Requirements – The following minimum performance requirements are mandatory:

- a. Range – 1,500 NM with 60 minute reserve;
- b. Speed – Cruise speed 240 KTAS as a minimum at altitude;
- c. Service Ceiling – 25,000 feet minimum based on optimum aircraft performance;
- d. Take Off – International Standard Atmosphere (ISA) day + 30C to ISA + 35C; high altitude airports (8000 to 10,000 feet) at gross weight with no wind condition; accelerate – stop distance 3,737 feet;
- e. Crew – Two crew members (pilot/co-pilot);
- f. Equipment – Survival gear, baggage and law enforcement equipment totaling 300 lbs.;
- g. Payload – Up to nine passengers; minimum of 3000 lbs. payload capacity;
- h. Maximum Gross Take Off Weight – Includes aircraft basic empty weight, payload, crew and maximum fuel/oil/hydraulic fluids; and
- i. Service Life – 15,000 operating hours after completion of modification.

Instrumentation Package – The instrumentation package shall have:

- a. Standard EFIS;
- b. Davtron 811B clock at Pilot and Co-pilot positions;
- c. Backup airspeed and altitude indicators shall operate independent of the primary systems; and
- d. Backup attitude reference indicator.

Communication/Navigation Equipment – The communication/navigation equipment shall be the standard Collins Pro-Line II or equivalent equipment to include:

- a. Dual VHF;
- b. Dual VOR/NAV;
- c. ADF;
- d. Radio Altimeter;
- e. Encoding Altimeter;
- f. Dual Compass;
- g. Dual DME with Hold Functions;
- h. Dual Marker Beacons;
- i. Dual RMI - Both VOR and ADF;

- j. Dual Transponder with Mode C and S;
- k. Air Data Computer;
- l. ELT (Emergency Locator Transmitter);
- m. TCAS (Traffic Collision Avoidance System); and
- n. Wulfsburg GNSX-LS Global Positioning System.

Intercommunications System (ICS)

- a. The Intercommunications System (ICS) shall permit two-way communication between pilot and co-pilot;
- b. The pilot and co-pilot, shall have both transmit and receive capability on all RF communication systems;
- c. A rotating selector clearly marked with ICS, VHF 1, VHF 2, HF, and FM shall be provided for audio selection;
- d. The pilot and copilot shall have individual speakers; and
- e. The cabin area shall have a sufficient number of speakers so that each passenger can hear all announcements.

Auto Pilot System – The aircraft shall have a 3-axis auto pilot system with the following modes of operation: heading, navigation, approach, back course, altitude hold, altitude select, indicated airspeed hold, vertical airspeed hold; vertical trim, soft ride, yaw damper, command roll, turn, go around, and test.

- a. Navigation mode to couple with VOR/DME, and GPS;
- b. TCS, SYNC, and disconnect available to both pilot and copilot; and
- c. Flight Director – Pilot and Copilot.

Instrumentation/Avionics – The instrumentation/avionics shall have, Allied/Signal Benedix/King package or equivalent to include:

- a. KFC 325 Integrated 3-axis Automatic Flight Control System with 5-tube EFIS (w/center MFD) including: KMC 321 Mode Controller, EFS 40/50 4-inch EFIS, ED462 EADI, ED462 EHSDI, CP 468 Control Panel, SG 564 Symbol Generator;
- b. KMA 24H Audio Control Console/Intercom;
- c. KX 165 COM/NAV (2 each);
- d. KN 63 DME;
- e. KR 87 Digital ADF System;
- f. KNI 582 RMI;
- g. KI 204 CDI;
- h. KSA 297C Altitude/Vertical Speed Preselector;
- i. KR 21 Marker Receiver & Lights;
- j. KT 70 Transponder;
- k. KEA 130A Encoding Altimeter;
- l. KLN 90B GPS Navigation System;
- m. RDS 82 VP Weather Radar/RDR 2000;
- n. CAS 66A TCAS1;

- o. Engine Trend Monitoring System;
- p. Ground Proximity Warning System;
- q. HF Radio;
- r. ELT (Narco ELT-910);
- s. Stormscope; and
- t. Litef AHRS-LCR 92.

TRAINING

Pilot Training – The contractor shall provide, at no additional cost the Government, the necessary systems and flight training to qualify four (4) designated personnel thirty (30) days before delivery of aircraft. The contractor shall contact the DEA Contracting Officers Technical Representative (COTR) no later than sixty (60) days before delivery of the aircraft to establish the location, dates, and time for training. The training provided shall be recorded in a flight syllabus document that meets all applicable FAA regulations and fully qualifies the designated pilots for the life of the aircraft. The proposed training syllabus will be reviewed and approved by the (COTR).

Aircraft Maintenance Training – The contractor shall provide, at no additional cost to the Government, maintenance training and system operational training to qualify four (4) designated personnel. Areas of training shall include airframes, propulsion, avionics and electrical. The training provided shall be accomplished under applicable FAA guidelines. The contractor shall contact the DEA COTR no later than sixty (60) days before delivery of the aircraft to establish the location, dates, and time for training.

TECHNICAL MANUALS

The Contractor shall provide basic technical manuals and manual supplements for the added equipment that contain sufficient scope of text written to the depth necessary to operate, test, and maintain the equipment represented in this contract. The Contractor shall make available all of the required manuals and handbooks to the DEA for review and approval sixty (60) days prior to delivery of the aircraft. The Contractor shall also make automatic and immediate distribution to the DEA for all manual updates and changes. The manuals shall include, as a minimum:

- a. Pilot's Operating Handbook (POH);
- b. Aircraft Maintenance Manuals (AMM);
- c. Illustrated Parts Breakdown (IPB); and
- d. Structural Repair Manual.

All required manuals and handbooks shall be submitted to the COTR for review and approval sixty (60) days prior to delivery of the aircraft. The Contractor is responsible for maintaining currency of the Technical Manuals and immediately providing the COTR with the appropriate revisions.

WARRANTY

The aircraft, and all its parts, shall be covered by the Contractor's standard commercial warranty for a period of at least two (2) years.

INSPECTION & ACCEPTANCE (ADDENDUM TO FAR 52.212-4(a))

Inspection and acceptance of the aircraft will take place at the Contractor's facility. During inspection and before acceptance, the aircraft will be subjected to the following tests to determine compliance with the requirements set forth herein. The contractor shall contact the COTR, in writing, sixty no later than (60) days prior to anticipated date of aircraft delivery to establish dates for inspection and acceptance.

DEA Aircraft Acceptance Test

The contractor shall prepare an Acceptance Test Plan that outlines the ground and flight tests to be conducted prior to aircraft acceptance. These tests shall be thorough enough to monitor aircraft design/modification integrity and to ensure that there will be no degradation of avionics and electronic equipment performance that could be caused by inadequate manufacturing or installation techniques. Sufficient data shall be recorded during these tests to permit judgement to be made regarding the aircraft and subsystem acceptability. The contractor shall submit his Acceptance Test Plan to the DEA no later than ninety (90) days prior to the scheduled aircraft acceptance test. The DEA will notify the contractor of approval or disapproval within thirty (30) days after receipt of the test plan.

Environmental Tests

The Contractor shall demonstrate to DEA that the following environmental requirements have been met: Altitude: All equipment shall operate continuously from zero feet to the service ceiling altitude conditions. The equipment, when not operating, shall not be damaged at altitudes up to 35,000 feet. All non-cabin equipment shall operate continuously from zero to 35,000 feet. Temperature: All equipment shall operate satisfactorily in accordance with individual equipment certification requirements. Vibration: All equipment shall operate satisfactorily in the vibration conditions for fixed, multi-engine, turboprop aircraft.

FAA Flight Certification (FAR clause 52.211-9, Desired and Required Time Delivery, (JUN 1997) is applicable). – The Contractor shall provide a certificate stating that the aircraft has been certified by the FAA.

Test Data

A report indicating the results of the tests specified above shall be submitted to the COTR within thirty (30) days after completion of tests for DEA review and approval. The DEA will notify the contractor of approval or disapproval within thirty (30) days after receipt of the test results. The report shall include all data collected in conducting these tests and a record of all failures, and shall describe suitable and adequate corrective actions for all failures that occurred.

CONTRACT CLAUSES

FAR 52.252-2: CLAUSES INCORPORATED BY REFERENCE (FEB 1998)

This contract incorporates one or more clauses by reference, with the same force and effect as if they were given in full text. Upon request, the Contracting Officer will make their full text available. Also, the full text of a clause may be accessed electronically at this address:

<http://www.arnet.gov/far/>

I. FEDERAL ACQUISITION REGULATION (48 CFR CHAPTER 1) CLAUSES

<u>NUMBER</u>	<u>DATE</u>	<u>TITLE</u>
52.212-4	MAR 2001	CONTRACT TERMS AND CONDITIONS – COMMERCIAL ITEMS
52.253-1	JAN 1991	COMPUTER GENERATED FORMS

FAR 52.212-5: CONTRACT TERMS AND CONDITIONS REQUIRED TO IMPLEMENT STATUTES OR EXECUTIVE ORDERS – COMMERCIAL ITEMS (FEB 2001)

(a) The Contractor agrees to comply with the following FAR clauses, which are incorporated in this contract by reference, to implement provisions of law or Executive orders applicable to acquisitions of commercial items:

- (1) 52.222-3, Convict Labor (E.O. 11755).
- (2) 52.233-3, Protest After Award (31 U.S.C 3553).

(b) The Contractor shall comply with the FAR clauses in this paragraph (b) that the Contracting Officer has indicated as being incorporated into this contract by reference to implement provisions of law or Executive orders applicable to acquisitions of commercial items or components:

[Contracting Officer shall check as appropriate.]

- (1) 52.203-6, Restrictions on Subcontractor Sales to the Government, with Alternate I (41 U.S.C. 253g and 10 U.S.C. 2402).
- (2) 52.219-3, Notice of Total HUBZone Small Business Set-Aside (Jan 1999).
- (3) 52.219-4, Notice of Price Evaluation Preference for HUBZone Small Business Concerns (Jan 1999) (if the offeror elects to waive the preference, it shall so indicate in its offer).
- (4)(i) 52.219-5, Very Small Business Set-Aside (Pub. L. 103-403, section 304, Small Business Reauthorization and Amendments Act of 1994).
 - (ii) Alternate I to 52.219-5.
 - (iii) Alternate II to 52.219-5.
- (5) 52.219-8, Utilization of Small Business Concerns (15 U.S.C. 637 (d)(2) and (3)).
- (6) 52.219-9, Small Business Subcontracting Plan (15 U.S.C. 637 (d)(4)).

- _____ (7) 52.219-14, Limitation on Subcontracting (15 U.S.C. 637(a)(14)).
- _____ (8)(i) 52.219-23, Notice of Price Evaluation Adjustment for Small Disadvantaged Business Concerns (Pub. L. 103-355, section 7102, and 10 U.S.C. 2323) (If the offeror elects to waive the adjustment, it shall so indicate in its offer).
- _____ (ii) Alternate I of 52.219-23.
- _____ (9) 52.219-25, Small Disadvantaged Business Participation Program – Disadvantaged Status and Reporting (Pub. L. 103-355, section 7102, and 10 U.S.C. 2323).
- _____ (10) 52.219-26, Small Disadvantaged Business Participation Program – Incentive Subcontracting (Pub. L. 103-355, section 7102, and 10 U.S.C. 2323).
- X (11) 52.222-21, Prohibition of Segregated Facilities (Feb 1999).
- X (12) 52.222-26, Equal Opportunity (E.O. 11246).
- X (13) 52.222-35, Affirmative Action for Disabled Veterans and Veterans of the Vietnam Era (38 U.S.C. 4212).
- X (14) 52.222-36, Affirmative Action for Workers with Disabilities (29 U.S.C. 793).
- X (15) 52.222-37, Employment Reports on Special Disabled Veterans and Veterans of the Vietnam Era (38 U.S.C. 4212).
- _____ (16) 52.222-19, Child Labor – Cooperation with Authorities and Remedies (E.O. 13126)
- _____ (17)(i) 52.223-9, Estimate of Percentage of Recovered Material Content for EPA-Designated Products (42 U.S.C. 6962(c)(3)(A)(ii)).
- _____ (ii) Alternate I of 52.223-9, (42 U.S.C. 6962(i)(2)(C)).
- _____ (18) 52.225-1, Buy American Act – Balance of Payments Program – Supplies (41 U.S.C. 10a –10d).
- _____ (19)(i) 52.225-3, Buy American Act – North American Free Trade Agreement – Israeli Trade Act – Balance of Payments Program (41 U.S.C. 10a – 10d, 19 U.S.C. 3301 note, 19 U.S.C. 2112 note).
- _____ (ii) Alternate I of 52.225-3.
- _____ (iii) Alternate II of 52.225-3.
- _____ (20) 52.225-5, Trade Agreements (19 U.S.C. 2501, *et seq.*, 19 U.S.C. 3301 note).
- X (21) 52.225-13, Restriction on Certain Foreign Purchases (E.O. 12722, 12724, 13059, 13067, 13121, and 13129).
- _____ (22) 52.225-15, Sanctioned European Union Country End Products (E.O. 12849).
- _____ (23) 52.225-16, Sanctioned European Union Country Services (E.O. 12849).
- _____ (24) 52.232-33, Payment by Electronic Funds Transfer - Central Contractor Registration (31 U.S.C. 3332).
- X (25) 52.232-34, Payment by Electronic Funds Transfer - Other Than Central Contractor Registration (31 U.S.C. 3332).
- _____ (26) 52.232-36, Payment by Third Party (31 U.S.C. 3332).
- _____ (27) 52.239-1, Privacy or Security Safeguards (5 U.S.C. 552a).

- _____ (28) (i) 52.247-64, Preference for Privately Owned U.S.- Flag Commercial Vessels (46 U.S.C. 1241).
 _____ (ii) Alternate I of 52.247-64.

(c) The Contractor agrees to comply with the FAR clauses in this paragraph (c), applicable to commercial services, which the Contracting Officer has indicated as being incorporated in this contract by reference to implement provisions of law or executive orders applicable to acquisitions of commercial items or components:

[Contracting Officer shall check as appropriate.]

- _____ (1) 52.222-41, Service Contract Act of 1965, As Amended (41 U.S.C. 351, *et seq.*).
 _____ (2) 52.222-42, Statement of Equivalent Rates for Federal Hires (29 U.S.C. 206 and 41 U.S.C. 351, *et seq.*).
 _____ (3) 52.222-43, Fair Labor Standards Act and Service Contract Act - Price Adjustment (Multiple Year and Option Contracts) (29 U.S.C. 206 and 41 U.S.C. 351, *et seq.*).
 _____ (4) 52.222-44, Fair Labor Standards Act and Service Contract Act - Price Adjustment (29 U.S.C. 206 and 41 U.S.C. 351, *et seq.*).
 _____ (5) 52.222-47, SCA Minimum Wages and Fringe Benefits Applicable to Successor Contract Pursuant to Predecessor Contractor Collective Bargaining Agreement (CBA) (41 U.S.C. 351, *et seq.*).
 _____ (6) 52.222-50, Nondisplacement of Qualified Workers (E.O. 12933).

(d) *Comptroller General Examination of Record.* The Contractor agrees to comply with the provisions of this paragraph (d) if this contract was awarded using other than sealed bid, is in excess of the simplified acquisition threshold, and does not contain the clause at 52.215-2, Audit and Records -- Negotiation.

(1) The Comptroller General of the United States, or an authorized representative of the Comptroller General, shall have access to and right to examine any of the Contractor's directly pertinent records involving transactions related to this contract.

(2) The Contractor shall make available at its offices at all reasonable times the records, materials, and other evidence for examination, audit, or reproduction, until 3 years after final payment under this contract or for any shorter period specified in FAR Subpart 4.7, Contractor Records Retention, of the other clauses of this contract. If this contract is completely or partially terminated, the records relating to the work terminated shall be made available for 3 years after any resulting final termination settlement. Records relating to appeals under the disputes clause or to litigation or the settlement of claims arising under or relating to this contract shall be made available until such appeals, litigation, or claims are finally resolved.

(3) As used in this clause, records include books, documents, accounting procedures and practices, and other data, regardless of type and regardless of form. This does not require the Contractor to create or maintain any record that the Contractor does not maintain in the ordinary course of business or pursuant to law.

(e) Notwithstanding the requirements of the clauses in paragraphs (a), (b), (c) or (d) of this clause, the Contractor is not required to include any FAR clause, other than those listed

below (and as may be required by an addenda to this paragraph to establish the reasonableness of prices under Part 15), in a subcontract for commercial items or commercial components –

- (1) 52.222-26, Equal Opportunity (E.O. 11246);
- (2) 52.222-35, Affirmative Action for Special Disabled and Vietnam Era Veterans (38 U.S.C. 2012(a)); and
- (3) 52.222-36, Affirmative Action for Workers with Disabilities (29 U.S.C. 793).
- (4) 52.247-64, Preference for Privately Owned U.S.-Flagged Commercial Vessels (46 U.S.C. 1241) (flow down not required for subcontracts awarded beginning May 1, 1996).
- (5) 52.222-41, Service Contract Act of 1965, As Amended (41 U.S.C. 351, *et. seq.*).

ADDITIONAL TERMS AND CONDITIONS

1. CONTRACTING OFFICER'S TECHNICAL REPRESENTATIVE (COTR) (JAR 2852.270-70) (JAN 1985)

(a) Louis Scott, *Office of Aviation Operations, 2300 Horizon Road, Fort Worth, TX, phone number (817) 837-2069*, is hereby designated to act as Contracting Officer's Technical Representative (COTR) under this contract.

(b) The COTR is responsible for: receiving all deliverables; inspecting and accepting the supplies or services provided hereunder in accordance with the terms and conditions of this contract; providing direction to the contractor which clarifies the contract effort, fills in details or otherwise serves to accomplish the contractual Statement of Work; evaluating performance; and certifying all invoices/vouchers for acceptance of the supplies or services furnished for payment prior to forwarding the original invoice to the payment office and a conformed copy to the Contracting Officer.

(c) The COTR does not have the authority to alter the contractor's obligations under the contract, direct changes that fall within the purview of the General Provisions clause entitled "Changes," and/or modify any of the expressed terms, conditions, specifications, or cost or the agreement. If as a result of technical discussions it is desirable to alter/change contractual obligations or the Statement of Work, the Contracting Officer shall issue such changes in writing and signed.

2. INVOICE REQUIREMENTS (MAR 1999)

(a) The contractor may submit an invoice(s) monthly to:

(1) The original invoice shall be submitted to the *Contracting Officer's Technical Representative (COTR)* identified in the above clause.

(2) An additional copy of the invoice, clearly marked as an information copy, shall be submitted to the *Contracting Officer*, to increase efficiency in the inspection and acceptance of delivered goods and services and the receipt of corresponding payment.

(b) In addition to the items required in FAR clause 52.232-25, PROMPT PAYMENT, at (a)(3)(i) through (viii), a proper invoice must also include the following minimum additional information and/or attached documentation.

- (1) Separate, distinct invoice number;
- (2) Delivery or Task Order Number;
- (3) Total/cumulative charges for the billing period;
- (4) Dates upon which items were delivered;
- (5) *Taxpayer Identification Number (TIN)*; and
- (6) A statement signed by a responsible official of the concern substantially similar if not identical to the following:

"I certify that the items above have been delivered in accordance with the contract, and that all charges are true, correct, and have not been previously billed.

 Contractor's Signature Date"
 (Printed Name/Title/Company/Telephone Number)

3. **ORDERING (FAR 52.216-18) (OCT 1995)**

(a) Any supplies and services to be furnished under this contract shall be ordered by issuance of delivery orders or task orders by the individuals or activities designated in the Schedule. Such orders may be issued from the date of contract award through the final date of the current base or option period.

(b) All delivery orders or task orders are subject to the terms and conditions of this contract. In the event of conflict between a delivery order or task order and this contract, the contract shall control.

(c) If mailed, a delivery order or task order is considered "issued" when the Government deposits the order in the mail. Orders may be issued orally, by facsimile, or by electronic commerce methods only if authorized in the Schedule.

4. **ORDER LIMITATIONS (FAR 52.216-19) (OCT 1995)**

(a) *Minimum Order.* When the Government requires supplies or services covered by this contract in an amount of less than one (1) each, the Government is not obligated to purchase, nor is the contractor obligated to furnish, those supplies or services under the contract.

(b) *Maximum Order.* The contractor is not obligated to honor --
 (1) Any order for a single item in excess of three (3) each;
 (2) Any order for a combination of items in excess of three (3) each, or
 (3) A series of orders from the same ordering office within 10 days that together call for quantities exceeding the limitation in subparagraph (1) or (2) above.

(c) If this is a requirement (s) contract (i.e., includes the Requirements clause at subsection 52.216-21 of the Federal Acquisition Regulation (FAR), the Government is not required to order a part of any one requirement from the Contractor if that requirement exceeds the maximum-order limitations in paragraph (b) above.

(d) Notwithstanding paragraphs (b) and (c) above, the contractor shall honor any exceeding the maximum order limitations in paragraph (b), unless that order (or orders) is returned to the ordering office within 10 days after issuance, with written notice stating the contractor's intent not to ship the item (or items) called for and the reasons. Upon receiving this notice, the Government may acquire the supplies or services from another source.

5. INDEFINITE QUANTITY (FAR 52.216-22) (OCT 1995)

(a) This is an indefinite-quantity contract for the supplies or services specified, and effective for the period stated, in the Schedule. The quantities of supplies and services specified in the Schedule are estimates only and are not purchased by this contract.

(b) Delivery or performance shall be made only as authorized by orders issued in accordance with the Ordering clause. The contractor shall furnish to the Government, when and if ordered, the supplies or services specified in the Schedule up to and including the quantity designated in the Schedule as the "maximum." The Government shall order at least the quantity of supplies or services designated in the schedule as the "minimum."

(c) Except for any limitations on quantities in the Order Limitations clause or in the Schedule, there is no limit on the number of orders that may be issued. The Government may issue orders requiring delivery to multiple destinations or performance at multiple locations.

(d) Any order issued during the effective period of this contract and not completed within that period shall be completed by the contractor within the time specified in the order. The contract shall govern the contractor's and Government's rights and obligations with respect to that order to the same extent as if the order were completed during the contract's effective period; *provided* that the contractor shall not be required to make any deliveries under this contract after 30 days from expiration of the contract.

6. OPTION TO EXTEND THE TERM OF THE CONTRACT (FAR 52.217-9) (MARCH 1989)

(a) The Government may extend the term of this contract by written notice to the contractor prior to expiration of the contract term; provided, that the Government shall give the contractor a preliminary written notice of its intent to extend at least 60 days before the contract expires. The preliminary notice does not commit the Government to an extension.

(b) If the Government exercises this option, the extended contract shall be considered to include this option provision.

(c) The total duration of this contract, including the exercise of any options under this clause, shall not exceed 60 months.

7. EVALUATION OF PAST PERFORMANCE

The Contractor's performance under this contract will be rated. The rating will be completed, at a minimum, at least twice a year by the COTR using the Rating Guidelines and Contractor Performance Report. The Contractor will be provided with an opportunity to respond to the rating and all comments, rebuttals, or additional information will be attached to the Performance Report and forwarded to the cognizant Contracting Officer. This information will be maintained on file for a maximum of three years, after contract expiration, and will be used by the contracting activity to provide information to other federal agencies and/or contracting activities regarding the Contractor's performance or past performance.

8. ADMINISTRATIVE INQUIRIES (AUG 2000)

The Contractor and all Contractor employees and personnel participating in the performance of this contract shall comply with this *ADMINISTRATIVE INQUIRIES* clause. Accordingly, the Contractor shall obtain, and make available upon request by the Contracting Officer, a certification, signed by each contract employee participating in the performance of this contract, attesting to the fact that they have been apprised of and will comply with the *ADMINISTRATIVE INQUIRIES* clause as stated herein.

(a) The Drug Enforcement Administration (DEA) is a Federal law enforcement agency charged with investigating and prosecuting persons violating the drug laws of the United States. It is essential that DEA personnel and personnel of the contractors who support DEA be of the highest ethical caliber.

(b) The Contractor and its personnel agree that an inspector or investigator of the DEA, Department of Justice (DOJ), or any other duly authorized organization or entity shall have the right to conduct any and all inquiries or investigations deemed appropriate by such organizations or entities. The Contractor and its personnel agree to cooperate fully, to the best of their ability, with any such inquiry or investigation.

(c) The Contractor and its personnel agree that persons performing such investigations or inquiries have the right to question the Contractor and its personnel. The Contractor and its personnel agree to respond fully and truthfully to such questioning and to provide sworn statements, declarations, or affirmations, as requested. Contract personnel will retain their constitutional protection against compelled self-incrimination. However, if the subject of the questioning is informed that the questioning being conducted is for administrative, security, and/or contractual purposes, and that statements made by the subject cannot be used against the subject in any criminal prosecution (except in cases where the subject is criminally prosecuted for knowingly and willfully providing false information), the subject is required to respond to questioning in accordance with this clause.

(d) The Contractor and its personnel agree that there is no expectation of privacy in any DEA assigned work spaces or equipment including, but not limited to, desk, file cabinets, or containers of any kind, computers and any storage media, or any such spaces or equipment provided by the Contractor or its personnel for use in DEA facilities or premises, and further agree that any such space or equipment may be searched with or without notice to the Contractor and its personnel.

(e) The Contractor shall inform its employees of their duties under this contract. The Contractor and its personnel agree that, in addition to any other actions DEA may be entitled to utilize or employ, contract personnel who fail to cooperate fully with any inquiry or investigation, or who fail or refuse to perform any duty under this contract, may immediately and without advance notice have their security clearance suspended or revoked, be removed from the work site, be released from their contractual duties, or any and all relief appropriate under the circumstances. In the event that any such action is taken, neither the Contractor nor its personnel

are entitled to be informed of the basis for the action. Such notice is within the sole discretion of the DEA.

PILATUS
PCI2
MAINTENANCE MANUAL

PROGRESSIVE INSPECTION PROGRAM

INTRODUCTION

The Progressive Inspection Program is designed for high utilization operators generally flying an average of 1200 hours per Calendar Year per aircraft. The standard inspection items were regrouped, stretched where permitted and spread into six phases and alternating into six mini or minor inspection.

The program has been technically approved by the Swiss Federal Office for Civil Aviation (FOCA), but operators intending to use this program should check with their local Airworthiness Authority for acceptance.

PROGRESSIVE INSPECTION PROGRAM DETAILS

For each aircraft maintained under this program a complete inspection cycle consists of 6 Mini or Minor Inspections and 6 Phase inspections at alternating intervals. This must be complied with and not exceeding 1200 hours Time In Service (TIS) or 12 months, whichever comes first.

Mini Inspection

The Mini Inspection consists of a visual inspection of the wing, tail, fuselage and landing gear. Fluid levels are verified and the aircraft is visually inspected for fluid leaks. A visual inspection of the cabin and cockpit is performed to check the cleanliness, seats and seat belts. A visual inspection is performed of the propeller and engine oil filter and fuel filter are also examined.

Phases 1 through 6 Inspections

The Phases 1 through 6 inspections includes all 100 hours and Annual tasks as well as Time Limited and Overhaul tasks that fall within 12 Calendar months, excluding those tasks that have component operating hour intervals. The components with factory limits will be inspected based on their individual installation time.

Out of Phase Inspections

Out of phase inspections are all remaining tasks in Chapter 4 as well as Time Limited and Overhaul tasks in Chapter 5 that are outside the scope of the Progressive Inspection Program.

When all 6 Mini Inspections and the six Phase Inspections have been carried out, the requirement of the annual inspection have been met or exceeded. The remaining out of phase items must be reviewed on a regular basis to insure that the aircraft is kept airworthy.

PROGRESSIVE INSPECTION PROGRAM SCHEDULE OUTLINE

The complete program is divided into 6 Mini Inspections altered by six Phase inspections. Once the 1200 hour cycle has been completed, the cycle starts over again. A graphic example is shown below:

100 hr Check	200 hr Check	300 hr Check	400 hr Check	500 hr Check	600 hr Check	700 hr Check	800 hr Check	900 hr Check	1000 hr Check	1100 hr Check	1200 hr Check
Mini Insp.	Ph. 1 Insp.	Mini Insp.	Ph. 2 Insp.	Mini Insp.	Ph. 3 Insp.	Mini Insp.	Ph. 4 Insp.	Mini Insp.	Ph. 5 Insp.	Mini Insp.	Ph. 6 Insp.

EFFECTIVITY: All

05-30-00

PILATUS
PC12
MAINTENANCE MANUAL

Operations under 1200 hours per year

All inspections in the program must be completed within 12 months before starting the cycle over. If the utilization of the aircraft will be less than 1200 hours per year, the remaining phases must be accomplished not later than the end of the 12 month period.

For example: The anticipated flying is 900 hours. This would mean that the last check accomplished in the 12 month period would be the 900 hour check (Mini Inspection). To complete the program cycle, Phase 5 and 6 inspection items of the 1000 hour and 1200 hour check respectively, must be accomplished during the 900 hour check. When the 900 hour check is signed off, the cycle would start over with the first 100 hour mini check.

INSPECTION PROGRAM TOLERANCES

The inspection program has a tolerance of +/- 10 hours for aircraft that are en route to reach a place where the inspection can be done. That is, 100 Hour respectively phase inspection may be signed out between 10 hours prior to, or 10 hours after the due time without altering the due time of the next 100 hour inspection.

Any inspection completed prior to the 90 hour point in the 100 hour interval will reset the due time of the next inspection.

An inspection period normally cannot be extended beyond the 110 hour point.

For example, if the initial inspection is completed at 90 hours the next inspection is due at 200 hours (the check was completed within the +/- 10 hour tolerance). If the next inspection, due at 200 hours, is performed at 185 hours the following check will be due at 285 hours (the check was accomplished early and outside the tolerance range, therefore the next inspection due time will be 100 hours from when this inspection was signed off).

EXTENSIONS OUTSIDE THE INSPECTION PROGRAM TOLERANCES

An extension is for extenuating and unforeseen circumstances, not to facilitate maintenance planning. If such a circumstance should occur, the request must be submitted in detailed writing to the local aviation authority for approval.

INITIATION OF THE PROGRESSIVE INSPECTION PROGRAM

An annual inspection must be carried out prior to placing the aircraft on the Progressive Inspection Program.

RETURN TO THE 100HR/ANNUAL MAINTENANCE PROGRAM

The aircraft can be returned to the regular 100 hour / annual maintenance program by completing an annual inspection as detailed in the PC-12 Maintenance Manual

INSPECTION WORK CARDS

The inspection work cards are subdivided into inspection zones of the PC-12 (Figure 1). The zones are defined as follows:

- Zone 1: Cabin, cockpit and internal and external fuselage area from the firewall to the rear pressure bulkhead.
- Zone 2: Internal and external tail area including vertical and horizontal stabilizers, rudder and elevator from rear pressure bulkhead.
- Zone 3: Wings, internal and external structure; fuel storage, plumbing and delivery systems; ailerons, flaps and control systems.

EFFECTIVITY: All

05-30-00

Page 2
Nov 30/01

PILATUS
PCI2
MAINTENANCE MANUAL

- Zone 4: Landing gear including tires, wheels, brakes and gear doors.
- Zone 5: Engine, propeller and systems forward of firewall including cowlings and fairings.

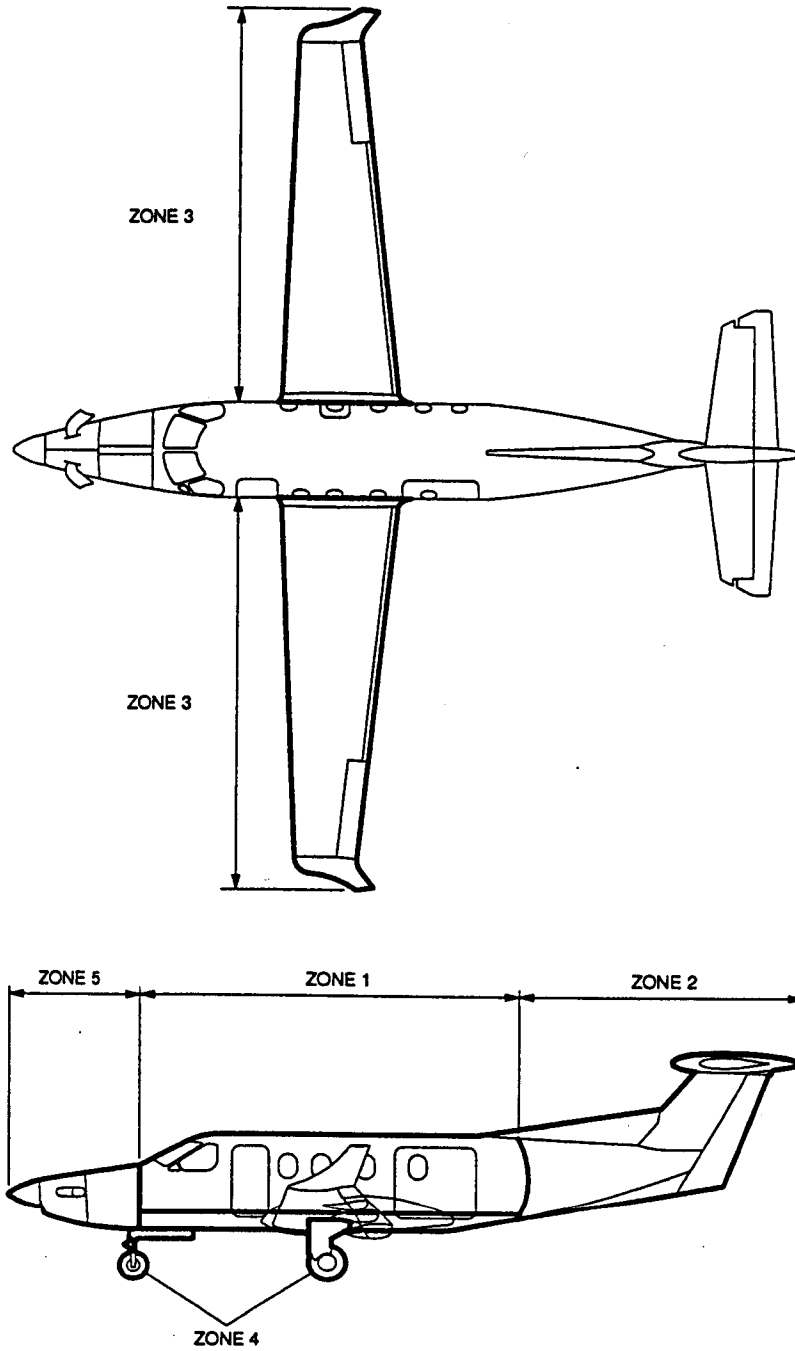
The applicability of each inspection work card is indicated on the bottom left corner of the card. A Master Inspection Card also shows the applicable inspection work cards for each check.

EFFECTIVITY: All

05-30-00

Page 3
Nov 30/01

PILATUS
PC12
MAINTENANCE MANUAL



Aircraft Zones
Figure 1

EFFECTIVITY: All

05-30-00

Page 4
Nov 30/01

05105

PILATUS
PC12
MAINTENANCE MANUAL

MASTER PLAN OF PROGRESSIVE INSPECTION PROGRAM

NOTE: The terms used for the item inspection requirements are defined in section 05-20-00.

Progressive Inspection		
Chap/Task	Item	Insp. Type
Aircraft Preparation		
71-00/1	Power plant inspection ground run - note defects. NOTE: A pre-inspection ground run is not a prerequisite but may be useful to determine any repair work necessary to maintain airworthiness of the aircraft.	Mini All Phases
27-50/2	Flaps - lower to 40°	Mini All Phases
00-00/3	Power plant, landing gear and wings - look for fluid leaks	Mini All Phases
12-20/4	If required wash the aircraft exterior, including the landing gear and flap compartments (Ref. 12-20-01, Page Block 301)	Mini All Phases
12-20/5	Windshields and windows - clean (Ref. 12-20-02, Page Block 301)	Mini All Phases
12-20/6	Cockpit and cabin - clean (Ref.12-20-03, Page Block 301)	Mini All Phases
07-10/7	Aircraft - lift on jacks (Ref. 07-10-00, Page Block 201).	As required
06-00/8	Open/remove and examine the following panels: 11AL, 11AR, 11BL, 11BR, 12AZ, 12BL, 12BR, 12BZ, 12CZ, 12DZ, 12EL, 12ER, 12EZ, 12FZ, 12HZ, 21GZ, 21JZ, 21PZ, 21QZ, 31AB, 31BL, 32AB, 32BT, 33ET, 41AT, 42AT, 42AB, 51KB, 51MB, 51NB, 52PB, 52RB, 52TB, 52SB, 61KB, 61MB, 61NB, 62PB, 62RB, 62SB, 62TB	As required
71-10/9	Engine cowlings ENG 43AL and ENG 43AR - open and examine, particularly for condition of rubbing strips and fasteners. Lubricate the hinges with a minimum of material P10-001 (Ref. 20-31-00)	Mini All Phases
Placards and Markings		
11-00/1	Placards and markings - examine. Attach new placards if necessary (Ref. 11-20-00 and 11-30-00)	Mini All Phases
Air Conditioning		
21-20/1	Ducts, pipelines and equipment in the engine compartment - examine	1, 3, 5
21/20/2	ECS EMER shut-off valve - operational test; max. pull force 22.5 lbf (100N)	1, 3, 5
21-40/3	Cold Air Unit – Re-oil (Ref. 21-40-01)	2, 4, 6

EFFECTIVITY: All

05-30-00

Page 5
Nov 30/01

PILATUS
PCI2
MAINTENANCE MANUAL

Progressive Inspection		
Chap/Task	Item	Insp. Type
21-40/4	Water Separator – Clean (Ref. 21-40-02)	1, 4
21-40/5	Heat exchanger - examine	1, 3, 5
21-40/6	Flight compartment foot heater (if installed) thermal protection switch - test (Ref. 21-40-11)	Mini All Phases
21-50/7	Vapour Cycle Cooling system (if installed) – examine the cooling unit	3, 6
21-50/8	Vapour Cycle Cooling system (if installed) – operational test (Ref. 21-50-00, Page Block 501)	3, 6
Auto Flight		
22-10/1	Autopilot system – operational test (Ref. 22-10-00, Page Block 501)	3
22-10/2	Auto Flight Servo mount (pitch and yaw) – Clutch Check	6
22-10/3	Auto Flight Servo mount (roll) – Clutch Check	5
22-10/4	Pitch & Yaw actuators and capstan control cables - examine	6
22-10/5	Roll actuators and capstan control cables - examine	5
22-20/6	Angle of Attack (AOA) transmitters - examine	Mini All Phases
22-20/7	Stick pusher system - functional test (Ref. 22-20-00, Page Block 501) after the Flight Control items have been completed	3, 6
22-20/8	Stick pusher system - check (Ref. 22-20-00, Page Block 501) after the Flight Control items have been completed	All Phases
Electrical Power		
24-20/1	AC electrical system - operational test (Ref. 24-20-00, Page Block 501)	4
24-30/2	Generator 2 drive belt - examine and check tension (Ref. 24-30-03, Page Block 501)	Mini All Phases
24-30/3	Battery (Batteries - if 2 nd battery installed) - examine & operational test (24-30-00, Page Block 501)	Mini All Phases
24-30/4	Battery compartment - examine the battery vent tubes and casing cover. Look for electrolyte spillage	Mini All Phases
24-30/5	Generator 2 (Pre SB 24-010) - Overhaul	6
24-30/6	Drive Assembly (Pre SB 24-010) – Inspection/Check	3, 6

EFFECTIVITY: All

05-30-00

Page 6
Nov 30/01

PILATUS
PC12
MAINTENANCE MANUAL

Progressive Inspection		
Chap/Task	Item	Insp. Type
24-30/7	Drive Assembly (Post SB 24-010) – Inspection/Check	6
24-30/8	Starter/Generator – Brush Check	All Phases
24-30/9	Battery (NiCad) – Remove & Service	All Phases
24-30/10	Battery (lead Acid) – Cap Test	1, 4
24-30/11	Emergency Power Supply (if installed) – Cap Test	4
24-40/12	External Power Unit (EPU) receptacle - examine	6
24-60/13	Cockpit circuit breaker panels and switch panels - examine	4
Equipment and Furnishings		
25-10/1	Crew seat belts - examine	Mini All Phases
25-10/2	Crew seats - examine. Operate the up/down and forward/rearward levers and make sure the seat movement is full and free	Mini All Phases
25-20/3	Passenger seat belts - examine	Mini All Phases
25-20/4	Passenger seats - examine	Mini All Phases
25-60/5	ELT installation - examine	6
Fire Protection		
26-20/1	Fire Extinguisher – Content Check	4
Flight Controls		
27-10/1	Aileron, elevator and rudder controls - operate, make sure full & free travel	All Phases
27-10/2	Aileron LH and RH – examine	Mini All Phases
27-10/3	Aileron LH and RH rods and levers – examine	2
27-10/4	Electrical bonding straps – examine	2
27-10/5	Aileron controls – examine the control cables and pulleys as far as possible. Move the mechanism so that you can see all parts of the cables and make sure the safety clips are fully engaged in the turnbuckles	5

EFFECTIVITY: All

05-30-00

Page 7
Nov 30/01

PILATUS
PC12
MAINTENANCE MANUAL

Progressive Inspection		
Chap/Task	Item	Insp. Type
27-10/6	Aileron cable tension – check (Ref. 27-10-00, Page Block 501)	5
27-10/7	Ailerons – functional test (Ref. 27-10-00, Page Block 501)	5
27-15/8	Aileron trim – operational test (Ref. 27-15-00, Page Block 501)	2
27-20/9	Rudder – Examine	Mini All Phases
27-20/10	Electrical bonding straps – examine	6
27-20/11	Static dischargers – examine	Mini All Phases
27-20/12	Rudder controls – examine the control cables and pulleys as far as possible. Move the mechanism so that you can see all parts of the cables and make sure the safety clips are fully engaged in the turnbuckles	5
27-20/13	Aileron/rudder interconnect system - make sure the locking mechanism is fully engaged with the flaps at 40° and the sliding parts are lubricated	5
27-20/14	Rudder cable tension – check (Ref. 27-20-00, Page Block 501)	5
27-20/15	Rudder – functional test (Ref. 27-20-00, Page Block 501)	6
27-25/16	Rudder trim – operational test (Ref. 27-25-00, Page Block 501)	6
27-30/17	Elevators – examine	Mini All Phases
27-30/18	Electrical bonding straps – examine	6
27-30/19	Static dischargers – examine	Mini All Phases
27-30/20	Elevator controls – examine the control cables and pulleys as far as possible. Move the mechanism so that you can see all parts of the cables and make sure the safety clips are fully engaged in the turnbuckles	5
27-30/21	Elevator cable tension – check (Ref. 27-30-00, Page Block 501)	5
27-30/22	Elevator – functional test (Ref. 27-30-00, Page Block 501)	6
27-40/23	Horizontal stabilizer trim – functional test of trim and trim runaway aural warning systems (Ref. 27-40-00, Page Block 501)	Mini All Phases
27-50/24	Flaps and flap supports – examine	Mini All Phases
27-50/25	Electrical bonding straps – examine	2

EFFECTIVITY: All

05-30-00

Page 8
Nov 30/01

≡PILATUS≡
PC12
MAINTENANCE MANUAL

Progressive Inspection		
Chap/Task	Item	Insp. Type
27-50/25	Electrical bonding straps – examine	2
27-50/26	Actuators and flexible drive shafts – examine	2
27-50/27	Flap motor – examine	5
27-50/28	Flaps - functional test (Ref. 27-50-00, Page Block 501)	1
27-50/29	Flap Screw Actuator – Inspect & Lubrication (white and black colored actuators)	2, 4, 6
Fuel		
28-10/1	Fuel tank filler caps - examine	Mini All Phases
28-10/2	Fuel - remove a sample from each drain valve and examine for water	All Phases
28-10/3	Fuel tank vents - make sure they are clear	Mini All Phases
28-20/4	Fuel filter element - remove and clean (Ref. 28-20-01, Page Blocks 401 and 701)	Mini All Phases
28-20/5	Firewall shut-off valve - operate. Make sure movement is free and check if initial pull out force at lever outer end is below 10 lbf (44.5N)	1, 3, 5
28-20/6	Fuel system components - examine	2
28-40/7	Fuel Low Level Warning System – Operational Test	2
Hydraulic Power		
29-10/1	Power pack - examine	1, 3, 5
29-10/2	Low pressure filter blockage indicator - make sure that it has not come out. If indicator found out replace return line filter (Ref. 29-10-04, Page Block 401)	1, 3, 5
29-10/3	MSN 101-229. Hydraulic fluid level - check fluid sensor and level using CAT or Maintenance Box and fill as necessary (Ref. 29-00-00 CONFIG 1, Page Block 301) MSN 230 - 999. Hydraulic fluid level - make sure fluid level indicator on the reservoir tank shows full. Fill as necessary (Ref. 29-00-00 CONFIG 2, Page Block 301)	Mini All Phases
29-10/4	Nitrogen accumulator - check nitrogen pressure and fill as necessary (Ref. 29-10-02, Page Block 201)	1, 3, 5
29-10/5	Reservoir tank - make sure nitrogen pressure is 56 psi. Pressurize as necessary (Ref. 29-00-00, Page Block 301)	Mini All Phases

EFFECTIVITY: All

05-30-00

Page 9
Nov 30/01

≡PILATUS≡
PC12
MAINTENANCE MANUAL

Progressive Inspection		
Chap/Task	Item	Insp. Type
29-10/6	Power pack electric motor shaft seal drain fluid collector bottle (Post SB 29-002 and MSN 181-999) - remove, clean and re-install	1, 3, 5
Ice and Rain Protection		
30-10/1	Wing and horizontal stabilizer airfoil de-ice boots - inspection/check (Ref. 30-10-00, Page Block 601)	All Phases
30-10/2	Airfoil de-ice system - operational test (Ref. 30-10-00, Page Block 501)	2, 4, 6
30-20/4	Air by-pass door and operating mechanism - examine and lubricate with minimum quantity of material P10-001 (Ref. 20-31-00)	1, 3, 5
30-20/5	Inertial separation system - operational test (Ref. 30-20-00, Page Block 501)	1, 3, 5
30-20/6	Engine air intake de-ice lip - look for signs of gas leaks	Mini All Phases
30-30/7	Probes de-ice system- operational test (Ref. 30-30-00, Page Block 501)	2, 4, 6
30-40/8	Windshield de-ice system- operational test (Ref. 30-40-00, Page Block 501)	2, 4, 6
30-60/9	Propeller blade de-icers - examine	Mini All Phases
30-60/10	Propeller de-ice system - operational test (Ref. 30-60-00, Page Block 501)	2, 4, 6
30-60/11	Brush blocks - examine (Ref. 30-60-00, Page Block 601)	1, 3, 5
Landing Gear		
32-10/1	Main landing gear legs - examine	2, 4, 6
32-20/2	Main landing gear leg – Lubrication (Ref. 12-20-04, Page Block 301)	2, 4, 6
32-10/3	Main landing gear compartments – examine	2, 4, 6
32-10/4	Electrical bonding straps – examine	2, 4, 6
32-10/5	Main Landing Gear shock-struts – Nitrogen Pressure Check (Ref. 32-10-00, Page Block 301)	2, 4, 6
32-10/6	Main landing gear left and right axle bolt (Post SB 32-009) - remove and examine. Replace if damaged. Install a serviceable bolt.	2, 4, 6
32-20/8	Nose landing gear leg - examine	2, 4, 6
32-20/9	Nose landing gear leg – Lubrication (Ref. 12-20-04, Page Block 301)	2, 4, 6

EFFECTIVITY: All

05-30-00

Page 10
Nov 30/01

PILATUS
PCI2
MAINTENANCE MANUAL

Progressive Inspection		
Chap/Task	Item	Insp. Type
32-20/10	Nose landing gear compartment - examine	2, 4, 6
32-20/11	Electrical bonding straps - examine	2, 4, 6
32-20/12	Nose landing gear leg shock-strut - Nitrogen Pressure Check (Ref. 32-20-00, Page Block 301)	2, 4, 6
32-20/13	Nose landing gear spring strut Part No. 532.20.12.250 - remove, clean and lubricate (Ref. 32-20-03, Page Blocks 401 and 701)	6
32-30/15	Extension and retraction system - functional test of extension and retraction system and emergency extension system (Ref. 32-30-00, Page Block 501)	2, 4, 6
32-40/16	Mainwheels - examine. Rotate wheels, make sure bearing movement is smooth and free and no excessive play exists	2, 4, 6
32-40/17	Mainwheel tires - examine and check tire pressure (Ref. 12-10-04, Page Block 301)	Mini All Phases
32-40/18	Nosewheel - examine. Rotate wheel, make sure bearing movement is smooth and free and no excessive play exists	2, 4, 6
32-40/19	Nosewheel tire - examine and check tire pressure (Ref. 12-10-04, Page Block 301)	Mini All Phases
32-40/20	Brake system - apply the parking brake. Examine the brake units. Make sure that pad wear indicators protrude from housing	Mini All Phases
32-40/21	Fluid reservoir - replenish if necessary (Ref. 12-10-02, Page Block 301)	Mini All Phases
Lighting		
33-00/1	Interior lighting - adjustment/test (Ref. 33-00-00, Page Block 501)	4
33-40/2	Exterior lighting - adjustment/test (Ref. 33-40-00, Page Block 501)	All Phases
33-40/3	Strobe Light (972.87.87.321) -- Intensity Test (Must be 400 candela power using appropriate equipment (DeVore FMG 4400 or 4400D recommended). If intensity measurements are not feasible, replace strobe light (Ref. 33-40-04) and power supply units (Ref. 33-40-05)	2
33-40/4	Wing Scan light - examine	All Phases
33-41/5	Landing lights - examine	All Phases
33-42/5	Taxi lights - examine	All Phases
33-43/6	Navigation and strobe lights - examine	All Phases

EFFECTIVITY: All

05-30-00

Page 11
Nov 30/01

PILATUS
PC12
MAINTENANCE MANUAL

Progressive Inspection		
Chap/Task	Item	Insp. Type
33-44/7	Recognition lights (if installed) - examine	All Phases
33-46/8	Beacon lights (if installed) - examine	All Phases
Navigation		
34-00/1	Communications and navigation antennas - examine	3
34-00/2	Cockpit instruments - examine	3, 6
34-00/3	Avionics equipment - examine	5
34-11/4	Pitot and Static System - drain (Ref. 34-11-00, Page Block 201)	1
34-11/5	Pitot-tube - examine	Mini All Phases
34-11/6	Static ports - examine	Mini All Phases
Oxygen		
35-10/1	High pressure relief indicator (green disk) - make sure that it is not damaged	Mini All Phases
35-10/2	Oxygen pipelines and equipment - examine	3
35-10/3	Oxygen system – Check & Service	Mini All Phases
35-10/4	Oxygen system - operational test (Ref. 35-00-00, Page Block 501)	3
Door		
52-10/1	Passenger/crew door, counterbalance and cable support brackets - examine	3
52-10/3	Passenger/crew door shoot bolts and door frame fittings - examine	1, 3, 5
52-10/4	Passenger/crew door hinges - examine and lubricate as necessary with minimum quantity of lubricant (Ref. 20-31-00 - Material P10-001)	1, 3, 5
52-10/2	Passenger/crew door seal - clean with a dry cloth, examine and apply french chalk (Ref. 20-31-00 - Material P09-002)	1, 3, 5
52-10/5	Passenger/crew door handle lock pin - make sure movement is free	1, 3, 5
52-20/6	Emergency door - examine (door removed)	3
52-20/7	Emergency door seal - clean with a dry cloth, examine and apply french chalk (Ref. 20-31-00 - Material P09-002)	3

EFFECTIVITY: All

05-30-00

Page 12
Nov 30/01

≡PILATUS≡
PC12
MAINTENANCE MANUAL

Progressive Inspection		
Chap/Task	Item	Insp. Type
52-30/8	Cargo door - examine	3
52-30/9	Cargo door seal - clean with a dry cloth, examine and apply french chalk (Ref. 20-31-00 - Material P09-002)	1, 3, 5
52-30/10	Cargo door shoot bolts, door frame fittings and hooks - examine	1, 3, 5
52-30/11	Cargo door hinges - examine and lubricate as necessary with minimum quantity of lubricant (Ref. 20-31-00 - P10-001)	1, 3, 5
52-70/12	Door warning system - operational test (Ref. 52-70-00, Page Block 501)	3
Fuselage		
53-00/1	Rear pressure bulkhead - examine	4
53-00/2	Fuselage external surface - examine	Mini All Phases
53-00/3	Floor Panels – remove and examine	5
53-00/4	Seat rails and fuselage inside surface (carpet and floor panels removed) - examine	5
53-00/5	Baggage/freight net mounting plates attachment bolts and surrounding structure - examine for corrosion	5
53-00/6	Baggage compartment - examine	5
53-00/7	Rear fuselage internal structure - examine as far as possible	6
Stabilizers		
55-10/1	Horizontal stabilizer external surface - examine	Mini All Phases
55-30/2	Vertical stabilizer external surface - examine	Mini All Phases
55-30/3	Electrical bonding straps - examine	6
Windows		
56-10/1	Windshield LH and RH - examine (Ref. 56-00-00, Page Block 601)	Mini All Phases
56-20/2	Cockpit and cabin windows - examine (Ref. 56-00-00, Page Block 601)	Mini All Phases
Wing		
57-00/1	Wing external surfaces - examine	Mini All Phases

EFFECTIVITY: All

05-30-00

Page 13
Nov 30/01

PILATUS
PCI2
MAINTENANCE MANUAL

Progressive Inspection		
Chap/Task	Item	Insp. Type
57-00/2	Static dischargers - examine	Mini All Phases
57-00/3	Wing internal surfaces (panels removed) and flap compartment - examine as far as possible	2
Propeller		
61-00	Propeller – Lubrication (iaw 12-20-05)	1, 3, 5
61-10/1	Propeller blades - examine. Repair the blades as necessary (Ref. Hartzell MM and 61-00-00, Page Block 801)	Mini All Phases
61-10/2	Propeller hub - remove spinner dome and examine propeller hub. Install spinner dome (Ref. 61-10-01, Page Block 401)	1, 3, 5
61-20/3	Propeller governor, overspeed governor and beta controls - examine	1
Power Plant		
71-00/1	Engine tubular mounting frame and shockmounts - examine	1
71-00/2	Power plant and accessories - examine. Refer to P&WC EMM 72-00-00 Periodic Inspection and do the 100 hour and minor inspection items	All Phases
71-10/1	Oil Pressure transducer, torque transducer and the stick pusher transducer electrical connectors - Clean (Ref. TR 71-06)	3, 6
Engine Fuel and Control		
73-20/1	Fuel Pump Outlet Filter - Replace	3, 6
73-20/2	P3 Air Filter - Replace	6
73-20/3	P3 Air Filter – Clean (P&WC EMM 73-10-07)	Mini All Phases
73-20/4	Fuel Pump Inlet Screen – Clean (P&WC EMM 73-10-02)	3, 6
73-20/5	Fuel Pump Coupling Shaft – Examine for Fretting and Corrosion (P&WC EMM 73-10-02)	3, 6
Ignition		
74-00/1	Ignition system – adjustment/test (Ref. 74-00-00, Page Block 501)	All Phases
74-20/2	Spark Igniters – Examine for cleanliness and erosion	All Phases
Engine Controls		
76-00/1	Engine controls in engine compartment- examine	1, 3, 5

EFFECTIVITY: All

05-30-00

Page 14
Nov 30/01

PILATUS
PC12
MAINTENANCE MANUAL

Progressive Inspection		
Chap/Task	Item	Insp. Type
76-00/2	Beta slip ring carbon block - make sure gap is not more than 0.01in (0.25 mm)	Mini All Phases
76-00/3	Cockpit control quadrant - examine. Power controls - operational test (Ref. 76-10-00, Page Block 501) Manual override - operational test (Ref. 76-20-00, Page Block 501)	4
76-10/4	Proppeller feathering microswitch - Functional test (Ref. 76-10-02, Page Block 501)	All Phases
Engine Indication		
77-00/1	Engine instrument system - operational test (Ref. 77-40-00, Page Block 501)	All Phases
Exhaust		
78-00/1	Exhaust stubs - examine	All Phases
Oil		
79-00/1	Oil filler cap/dipstick - energize aircraft electrical system (Ref. 24-00-00, Page Block 201). Remove filler cap, examine and make sure seal is in good condition. Set and hold AIR/GROUND switch to GROUND and make sure after 60 secs the CAWS OIL QTY caption comes on. Install filler cap and make sure cap locking mechanism operates correctly	1, 3, 5
79-20/2	Oil filter element - clean (Ref 79-20-01, Page Block 401 and P&WC EMM 79-20-02)	Mini All Phases
79-20/3	Oil System – take an oil sample, ½ pint (259 ml) minimum from the oil tank (Ref. PWC EMM 79-20-02)	Mini All Phases
79-20/4	Oil system chip detector indication system - operational test (Ref 79-30-01, Page Block 501)	All Phases
79-20/5	Engine-oil cooler - examine. Make sure outlet door has full and free movement	1, 3, 5
79-30/6	Chip Detector – Inspect (Ref. P&WC EMM 72-00-00)	3, 6
Aircraft Close Up		
00-00/1	Close/Install the following panels: 11AL, 11AR, 11BL, 11BR, 12AZ, 12BL, 12BR, 12BZ, 12CZ, 12DZ, 12EL, 12ER, 12EZ, 12FZ, 12HZ, 21GZ, 21JZ, 21PZ, 21QZ, 31AB, 31BL, 32AB, 32BT, 33ET, 41AT, 42AT, 42AB, 51KB, 51MB, 51NB, 52PB, 52RB, 52TB, 52SB, 61KB, 61MB, 61NB, 62PB, 62RB, 62SB, 62TB	As required
71-10/2	Engine cowlings ENG 43AL and ENG 43AR - close	Mini All Phases
07-10/3	Lower the aircraft to the ground and remove the jacks (Ref. 07-10-00, Page Block 201)	As required

EFFECTIVITY: All

05-30-00

Page 15
Nov 30/01

≡PILATUS≡
PCI2
MAINTENANCE MANUAL

Progressive Inspection		
Chap/Task	Item	Insp. Type
Power Plant - Post Inspection Ground Run		
71-00/1	Power plant - post-inspection ground run (Ref 71-00-00, Page Block 501).	Mini All Phases
Post Inspection		
00-00/1	Airworthiness Directives and Service Bulletins reviewed and additional requirements are complied with as required	Mini All Phases
00-00/2	Chapter 4 and Time Limits section of this chapter reviewed and any additional requirements are complied with	Mini All Phases
24-30/3	DC electrical system - functional test (Ref. 24-30-00, Page Block 501)	6
25-60/4	ELT - operational test (Ref. 25-63-01, Page Block 401)	6

EFFECTIVITY: All

05-30-00

Page 16
Nov 30/01



PCI2

MAINTENANCE MANUAL

PROGRESSIVE INSPECTION PROGRAM

MASTER INSPECTION CARD

A/C Flying Hours	Type of Check	Inspection Work Cards
100	Mini Inspection	1
200	Phase 1	1, 2, 3, 4, 5, 6, 7, 8, 9, 10, 14, 15, 19, 20, 21
300	Mini Inspection	1
400	Phase 2	1, 2, 3, 4, 5, 6, 7, 11, 12, 13, 22
500	Mini Inspection	1
600	Phase 3	1, 2, 3, 4, 5, 6, 7, 8, 9, 10, 16, 17, 18, 23
700	Mini Inspection	1
800	Phase 4	1, 2, 3, 4, 5, 6, 7, 11, 12, 13, 14, 15, 24
900	Mini Inspection	1
1000	Phase 5	1, 2, 3, 4, 5, 6, 7, 8, 9, 10, 25
1100	Mini Inspection	1
1200	Phase 6	1, 2, 3, 4, 5, 6, 7, 11, 12, 13, 16, 17, 18, 26, 27, 28

EFFECTIVITY: All

05-30-00

PILATUS
PC12
MAINTENANCE MANUAL

PROGRESSIVE INSPECTION PROGRAM

WORK CARD 1 – MINI INSPECTION

➤ The terms used for the item inspection requirements are defined in section 05-20-00.

GENERAL	
1	Chapter 4, Time Limits Section, Airworthiness Directives, Service Bulletins and Pilots logbook, reviewed and additional requirements are complied with as required.
2	Placards and markings - examine. Attach new placards if necessary (Ref. 11-20-00 and 11-30-00)
3	Flaps - lower to 40°
4	Open/remove and examine the panels and fairings as required to complete inspection items.
5	Engine cowlings ENG 43AL and ENG 43AR - open and examine, particularly for condition of rubbing strips and fasteners. Lubricate the hinges with a minimum of material P10-001 (Ref. 20-31-00)
FUSELAGE, WINGS, TAIL	
6	Fuselage external surface - examine
7	Vertical stabilizer external surface and rudder – examine
8	Horizontal stabilizer external surface and elevators – examine
9	Battery compartment - examine battery (batteries - if 2 nd battery installed), battery vent tubes and casing cover. Look for electrolyte spillage
10	High pressure relief indicator (green disk) - make sure that it is not damaged
11	Static ports - examine
12	MSN 230 - 999. Hydraulic fluid level - make sure fluid level indicator on the reservoir tank shows full. Fill as necessary (Ref. 29-00-00 CONFIG 2, Page Block 301)
13	Reservoir tank - make sure N2 pressure is 56 psi. Pressurize as necessary (Ref. 29-00-00, Page Block 301)
14	Static dischargers – Check if missing
15	Wing external surfaces – examine
16	Aileron LH / RH and Flaps and flap supports – examine
17	Pitot-tube and Angle of Attack (AOA) transmitters - examine
18	Oxygen system – Check & Service
LANDING GEAR	
19	Landing Gear, Main & Nose wheel tires - examine and check tire pressure (Ref. 12-10-04, Page Block 301)

EFFECTIVITY: All

05-30-00

Page 18
Nov 30/01

≡PILATUS≡
PC12
MAINTENANCE MANUAL

20	Brake system - Replenish brake fluid reservoir if necessary. Apply the parking brake. Examine the brake units. Make sure that pad wear indicators protrude from housing
ENGINE	
21	Oil filter element - remove and clean (Ref 79-20-01, Page Block 401 and P&WC EMM 79-20-02)
22	Oil System – take an oil sample, ½ pint (259 ml) minimum from the oil tank (Ref. PWC EMM 79-20-02)
23	P3 Air Filter – remove and clean (P&WC EMM 73-10-07)
24	Engine air intake de-ice lip – look for signs of gas leaks
25	Propeller blades & blade de-icers - examine
26	Beta slip ring carbon block - make sure gap is not more than 0.01in (0.25 mm)
FUEL	
27	Fuel tank filler caps - examine
28	Fuel tank vents - make sure they are clear
29	Fuel filter element - remove and clean (Ref. 28-20-01, Page Blocks 401 and 701)
INTERIOR	
30	Crew seat belts and seats - examine
31	Passenger seat belts and seats - examine
32	Cockpit windshield, windows and cabin windows - examine and clean
33	Flight compartment foot heater (if installed) thermal protection switch - test (Ref. 21-40-11)
34	Horizontal stabilizer trim – functional test of trim and trim runaway aural warning systems (Ref. 27-40-00, Page Block 501)
35	MSN 101-229. Hydraulic fluid level - check fluid sensor and level using CAT or Maintenance Box and fill as necessary (Ref. 29-00-00 CONFIG 1, Page Block 301)
POST INSPECTION	
36	Close/Install the panels and fairings as required.
37	Engine cowlings ENG 43AL and ENG 43AR - close
38	Cockpit and cabin - clean (Ref.12-20-03, Page Block 301)
39	DC electrical system - functional test (Ref. 24-30-00, Page Block 501)
40	Power plant - post-inspection ground run & leak check (Ref. Ground Run Test Card).

EFFECTIVITY: All

05-30-00

Page 19
Nov 30/01

PILATUS
PC12
MAINTENANCE MANUAL

PROGRESSIVE INSPECTION PROGRAM

WORK CARD 2 – GENERAL

➤ The terms used for the item inspection requirements are defined in section 05-20-00.

No.	Chap/Task	Item
1	30-10/1	Wing and horizontal stabilizer airfoil de-ice boots - inspection/check (Ref. 30-10-00, Page Block 601)

All Phases Inspection Items

EFFECTIVITY: All

05-30-00

Page 20
Nov 30/01

≡PILATUS≡
PCI2
MAINTENANCE MANUAL

PROGRESSIVE INSPECTION PROGRAM

WORK CARD 3 – ZONE 1

➤ The terms used for the item inspection requirements are defined in section 05-20-00.

No.	Chap/Task	Item
1	21-40/6	Flight compartment foot heater (if installed) thermal protection switch - test (Ref. 21-40-11)
2	22-20/7	Stick pusher system - check (Ref. 22-20-00, Page Block 501) after the Flight Control items have been completed
3	27-10/1	Aileron, elevator and rudder controls - operate, make sure full & free travel
4	33-40/2	Exterior lighting - adjustment/test (Ref. 33-40-00, Page Block 501)
5	33-40/4	Wing Scan Light - examine
6	34-00/2	Cockpit instruments - examine
7	77-00/1	Engine instrument system - operational test (Ref. 77-40-00, Page Block 501)
8	79-20/4	Oil system chip detector indication system - operational test (Ref 79-30-01, Page Block 501)

All Phases Inspection Items

EFFECTIVITY: All

05-30-00

Page 21
Nov 30/01

PILATUS
PCI2
MAINTENANCE MANUAL

PROGRESSIVE INSPECTION PROGRAM

WORK CARD 4 – ZONE 2

➤ The terms used for the item inspection requirements are defined in section 05-20-00.

No.	Chap/Task	Item
1	24-30/9	Battery (NiCad) – Remove & Service

All Phases Inspection Items

EFFECTIVITY: All

05-30-00

PILATUS
PC12
MAINTENANCE MANUAL

PROGRESSIVE INSPECTION PROGRAM

WORK CARD 5 – ZONE 3

➤ The terms used for the item inspection requirements are defined in section 05-20-00.

No.	Chap/Task	Item
1	28-10/2	Fuel - remove a sample from each drain valve and examine for water
2	33-43/6	Navigation and strobe lights - examine
3	33-44/7	Recognition lights (if installed) - examine

All Phases Inspection Items

EFFECTIVITY: All

05-30-00

Page 23
Nov 30/01

PILATUS
PCI2
MAINTENANCE MANUAL

PROGRESSIVE INSPECTION PROGRAM

WORK CARD 6 – ZONE 4

➤ The terms used for the item inspection requirements are defined in section 05-20-00.

No.	Chap/Task	Item
1	33-41/4	Landing lights - examine
2	33-42/5	Taxi lights - examine
3	33-46/8	Beacon lights (if installed) - examine

All Phases Inspection Items

EFFECTIVITY: All

05-30-00

Page 24
Nov 30/01

≡PILATUS≡
PC12
MAINTENANCE MANUAL

PROGRESSIVE INSPECTION PROGRAM

WORK CARD 7 – ZONE 5

➤ The terms used for the item inspection requirements are defined in section 05-20-00.

No.	Chap/Task	Item
1	24-30/2	Generator 2 drive belt - examine and check tension (Ref. 24-30-03, Page Block 501)
2	24-30/8	Starter/Generator – Brush Check
3	71-00/2	Power plant and accessories - examine. Refer to P&WC EMM 72-00-00 Periodic Inspection and do the minor inspection items
4	74-00/1	Ignition system – adjustment/test (Ref. 74-00-00, Page Block 501)
5	74-20/2	Spark Igniters – Examine for cleanliness and corrosion
6	76-10/4	Proppeller feathering microswitch - Functional test (Ref. 76-10-02, Page Block 501)
7	78-00/1	Exhaust stubs - examine

All Phases Inspection Items

EFFECTIVITY: All

05-30-00

Page 25
Nov 30/01

PILATUS
PC12
MAINTENANCE MANUAL

PROGRESSIVE INSPECTION PROGRAM

WORK CARD 8 – ZONE 1

➤ The terms used for the item inspection requirements are defined in section 05-20-00.

No.	Chap/Task	Item
1	21/20/2	ECS EMER shut-off valve - operational test; max. pull force 22.5 lbf (100N)
2	28-20/5	Firewall shut-off valve - operate. Make sure movement is free and check if initial pull out force at lever outer end is below 10 lbf (44.5N)
3	29-10/1	Power pack - examine
4	52-10/3	Passenger/crew door shoot bolts and door frame fittings - examine
5	52-10/4	Passenger/crew door hinges - examine and lubricate as necessary with minimum quantity of lubricant (Ref. 20-31-00 - Material P10-001)
6	52-10/2	Passenger/crew door seal - clean with a dry cloth, examine and apply french chalk (Ref. 20-31-00 - Material P09-002)
7	52-10/5	Passenger/crew door handle lock pin - make sure movement is free
8	52-30/8	Cargo door seal - clean with a dry cloth, examine and apply french chalk (Ref. 20-31-00 - Material P09-002)
9	52-30/9	Cargo door shoot bolts, door frame fittings and hooks - examine
10	52-30/10	Cargo door hinges - examine and lubricate as necessary with minimum quantity of lubricant (Ref. 20-31-00 - P10-001)

Phases 1,3,5 Inspection Items

EFFECTIVITY: All

05-30-00

Page 26
Nov 30/01

PILATUS
PCI2
MAINTENANCE MANUAL

PROGRESSIVE INSPECTION PROGRAM

WORK CARD 9 – ZONE 4

➤ The terms used for the item inspection requirements are defined in section 05-20-00.

No.	Chap/Task	Item
1	29-10/2	Low pressure filter blockage indicator - make sure that it has not come out. If indicator found out replace return line filter (Ref. 29-10-04, Page Block 401)
2	29-10/4	Nitrogen accumulator - check nitrogen pressure and fill as necessary (Ref. 29-10-02, Page Block 201)
3	29-10/6	Power pack electric motor shaft seal drain fluid collector bottle (Post SB 29-002 and MSN 181-999) - remove, clean and re-install

Phases 1,3,5 Inspection Items

EFFECTIVITY: All

05-30-00

≡PILATUS≡
PC12
MAINTENANCE MANUAL

PROGRESSIVE INSPECTION PROGRAM

WORK CARD 10 – ZONE 5

➤ The terms used for the item inspection requirements are defined in section 05-20-00.

No.	Chap/Task	Item
1	21-20/1	Ducts, pipelines and equipment in the engine compartment - examine
2	21-40/3	Cold Air Unit – Re-oil (Ref. 21-40-01)
3	21-40/5	Heat exchanger - examine
4	30-20/4	Air by-pass door and operating mechanism - examine and lubricate with minimum quantity of material P10-001 (Ref. 20-31-00)
5	30-20/5	Inertial separation system - operational test (Ref. 30-20-00, Page Block 501)
6	30-60/11	Brush blocks - examine (Ref. 30-60-00, Page Block 601)
7	61-00	Propeller – Lubrication (iaw 12-20-05)
8	61-10/2	Propeller hub - remove spinner dome and examine propeller hub. Install spinner dome (Ref. 61-10-01, Page Block 401)
9	76-00/1	Engine controls in engine compartment- examine
10	79-00/1	Oil filler cap/dipstick - energize aircraft electrical system (Ref. 24-00-00, Page Block 201). Remove filler cap, examine and make sure seal is in good condition. Set and hold AIR/GROUND switch to GROUND and make sure after 60 secs the CAWS OIL QTY caption comes on. Install filler cap and make sure cap locking mechanism operates correctly
11	79-20/5	Engine-oil cooler - examine. Make sure outlet door has full and free movement

Phases 1,3,5 Inspection Items

EFFECTIVITY: All

05-30-00

Page 28
Nov 30/01

≡PILATUS≡
PCI2
MAINTENANCE MANUAL

PROGRESSIVE INSPECTION PROGRAM

WORK CARD 11 – ZONE 1

➤ The terms used for the item inspection requirements are defined in section 05-20-00.

No.	Chap/Task	Item
1	30-10/2	Airfoil de-ice system - operational test (Ref. 30-10-00, Page Block 501)
2	30-30/7	Probes de-ice system- operational test (Ref. 30-30-00, Page Block 501)
3	30-40/8	Windshield de-ice system- operational test (Ref. 30-40-00, Page Block 501)
4	30-60/10	Propeller de-ice system - operational test (Ref. 30-60-00, Page Block 501)
5	32-30/15	Extension and retraction system - functional test of extension and retraction system and emergency extension system (Ref. 32-30-00, Page Block 501)

Phases 2, 4, 6 Inspection Items

EFFECTIVITY: All

05-30-00

Page 29
Nov 30/01

PILATUS
PCI2
MAINTENANCE MANUAL

Phases 2, 4, 6 Inspection Items

PROGRESSIVE INSPECTION PROGRAM

WORK CARD 12 – ZONE 3

➤ The terms used for the item inspection requirements are defined in section 05-20-00.

No.	Chap/Task	Item
1	27-50/29	Flap Screw Actuator – Inspect & Lubrication (white and black colored actuators)

EFFECTIVITY: All

05-30-00

Page 30
Nov 30/01

≡PILATUS≡
PCI2
MAINTENANCE MANUAL

PROGRESSIVE INSPECTION PROGRAM

WORK CARD 13 – ZONE 4

➤ The terms used for the item inspection requirements are defined in section 05-20-00.

No.	Chap/Task	Item
1	32-10/1	Main landing gear legs - examine
2	32-20/2	Main landing gear leg – Lubrication (Ref. 12-20-04, Page Block 301)
3	32-10/3	Main landing gear compartments – examine
4	32-10/5	Main Landing Gear shock-struts – Nitrogen Pressure Check (Ref. 32-10-00, Page Block 301)
5	32-10/4	Electrical bonding straps – examine
6	32-10/6	Main landing gear left and right axle bolt (Pre SB 32-006) - remove and examine. Replace if damaged. Install a serviceable bolt.
7	32-20/8	Nose landing gear leg - examine
8	32-20/9	Nose landing gear leg – Lubrication (Ref. 12-20-04, Page Block 301)
9	32-20/10	Nose landing gear compartment - examine
10	32-20/12	Nose landing gear leg shock-strut - Nitrogen Pressure Check (Ref. 32-20-00, Page Block 301)
11	32-20/11	Electrical bonding straps - examine
12	32-40/16	Mainwheels - examine. Rotate wheels, make sure bearing movement is smooth and free and no excessive play exists
13	32-40/18	Nosewheel - examine. Rotate wheel, make sure bearing movement is smooth and free and no excessive play exists

Phases 2, 4, 6 Inspection Items

EFFECTIVITY: All

05-30-00

Page 31
Nov 30/01

PILATUS
PCI2
MAINTENANCE MANUAL

PROGRESSIVE INSPECTION PROGRAM

WORK CARD 14 – ZONE 2

➤ The terms used for the item inspection requirements are defined in section 05-20-00.

No.	Chap/Task	Item
1	24-30/10	Battery (lead Acid) – Cap Test

Phases 1, 4 Inspection Item

EFFECTIVITY: All

05-30-00

Page 32
Nov 30/01

PILATUS
PCI2
MAINTENANCE MANUAL

PROGRESSIVE INSPECTION PROGRAM

WORK CARD 15 – ZONE 5

➤ The terms used for the item inspection requirements are defined in section 05-20-00.

No.	Chap/Task	Item
1	21-40/4	Water Separator – Clean (Ref. 21-40-02)

Phases 1, 4 Inspection Item

EFFECTIVITY: All

05-30-00

PILATUS
PCI2
MAINTENANCE MANUAL

PROGRESSIVE INSPECTION PROGRAM

WORK CARD 16 – ZONE 1

➤ The terms used for the item inspection requirements are defined in section 05-20-00.

No.	Chap/Task	Item
1	22-20/6	Stick pusher system - functional test (Ref. 22-20-00, Page Block 501) after the Flight Control items have been completed

Phases 3, 6 Inspection Item

EFFECTIVITY: All

05-30-00

≡PILATUS≡
PCI2
MAINTENANCE MANUAL

PROGRESSIVE INSPECTION PROGRAM

WORK CARD 17 – ZONE 2

➤ The terms used for the item inspection requirements are defined in section 05-20-00.

No.	Chap/Task	Item
1	21-50/7	Vapour Cycle Cooling system (if installed) – examine the cooling unit
2	21-50/8	Vapour Cycle Cooling system (if installed) – operational test (Ref. 21-50-00, Page Block 501)

Phases 3, 6 Inspection Items

EFFECTIVITY: All

05-30-00

PILATUS
PC12
MAINTENANCE MANUAL

PROGRESSIVE INSPECTION PROGRAM

WORK CARD 18 – ZONE 5

➤ The terms used for the item inspection requirements are defined in section 05-20-00.

No.	Chap/Task	Item
1	24-30/6	Drive Assembly (Pre SB 24-010) – Inspection/Check
2	71-10/1	Oil Pressure transducer, torque transducer and the stick pusher transducer electrical connectors - Clean
3	73-20/1	Fuel Pump Outlet Filter - Replace
4	73-20/4	Fuel Pump Inlet Screen – Clean (P&WC EMM 73-10-02)
5	73-20/5	Fuel Pump Coupling Shaft – Examine for Fretting and Corrosion (P&WC EMM 73-10-02)
6	79-30/6	Chip Detector - Inspect

Phases 3, 6 Inspection Items

EFFECTIVITY: All

05-30-00

Page 36
Nov 30/01

PILATUS
PCI2
MAINTENANCE MANUAL

PROGRESSIVE INSPECTION PROGRAM

WORK CARD 19 – ZONE 2

➤ The terms used for the item inspection requirements are defined in section 05-20-00.

No.	Chap/Task	Item
1	34-11/4	Pitot and Static System - drain (Ref. 34-11-00, Page Block 201)

Phase 1 Inspection Item

EFFECTIVITY: All

05-30-00

PILATUS
PC12
MAINTENANCE MANUAL

PROGRESSIVE INSPECTION PROGRAM

WORK CARD 20 – ZONE 3

➤ The terms used for the item inspection requirements are defined in section 05-20-00.

No.	Chap/Task	Item
1	27-50/28	Flaps - functional test (Ref. 27-50-00, Page Block 501)

Phase 1 Inspection Item

EFFECTIVITY: All

PILATUS
PC12
MAINTENANCE MANUAL

PROGRESSIVE INSPECTION PROGRAM

WORK CARD 21 – ZONE 5

➤ The terms used for the item inspection requirements are defined in section 05-20-00.

No.	Chap/Task	Item
1	61-20/3	Propeller governor, overspeed governor and beta controls - examine
2	71-00/1	Engine tubular mounting frame and shockmounts - examine

Phase 1 Inspection Item

EFFECTIVITY: All

05-30-00

≡PILATUS≡
PCI2
MAINTENANCE MANUAL

PROGRESSIVE INSPECTION PROGRAM

WORK CARD 22 – ZONE 3

➤ The terms used for the item inspection requirements are defined in section 05-20-00.

No.	Chap/Task	Item
1	27-10/3	Aileron LH and RH rods and levers – examine
2	27-10/4	Aileron electrical bonding straps – examine
3	27-15/8	Aileron trim – operational test (Ref. 27-15-00, Page Block 501)
4	27-50/25	Flap electrical bonding straps – examine
5	27-50/26	Actuators and flexible drive shafts – examine
6	28-20/6	Fuel system components - examine
7	28-40/7	Fuel Low Level Warning System – Operational Test
8	33-40/3	Strobe Light (HELLA) – Intensity Test (Must be 400 candela power using appropriate equipment (DeVore FMG 4400 or 4400D recommended). If intensity measurements are not feasible, replace strobe light (Ref. 33-40-04) and power supply units (Ref. 33-40-05)
9	57-00/3	Wing internal surfaces (panels removed) and flap compartment - examine as far as possible

Phase 2 Inspection Items

EFFECTIVITY: All

05-30-00

≡PILATUS≡
PCI2
MAINTENANCE MANUAL

PROGRESSIVE INSPECTION PROGRAM

WORK CARD 23 – ZONE 1

➤ The terms used for the item inspection requirements are defined in section 05-20-00.

No.	Chap/Task	Item
1	22-10/1	Autopilot system – operational test (Ref. 22-10-00, Page Block 501)
2	35-10/2	Oxygen pipelines and equipment - examine
3	35-10/4	Oxygen system - operational test (Ref. 35-00-00, Page Block 501)
4	52-10/1	Passenger/crew door, counterbalance and cable support brackets - examine
5	52-20/6	Emergency door - examine (door removed)
6	52-30/7	Cargo door - examine
7	52-70/11	Door warning system - operational test (Ref. 52-70-00, Page Block 501)

Phase 3 Inspection Items

EFFECTIVITY: All

05-30-00

Page 41
Nov 30/01

PILATUS
PCI2
MAINTENANCE MANUAL

PROGRESSIVE INSPECTION PROGRAM

WORK CARD 24 – ZONE 1

➤ The terms used for the item inspection requirements are defined in section 05-20-00.

No.	Chap/Task	Item
1	24-20/1	AC electrical system - operational test (Ref. 24-20-00, Page Block 501)
2	24-30/11	Emergency Power Supply (if installed) – Cap Test
3	24-60/13	Cockpit circuit breaker panels and switch panels - examine
4	26-20/1	Fire Extinguisher – Content Check
5	33-00/1	Interior lighting - adjustment/test (Ref. 33-00-00, Page Block 501)
6	53-00/1	Rear pressure bulkhead - examine
7	76-00/3	Cockpit control quadrant - examine. Power controls - operational test (Ref. 76-10-00, Page Block 501) Manual override - operational test (Ref. 76-20-00, Page Block 501)

Phase 4 Inspection Items

EFFECTIVITY: All

≡PILATUS≡
PC12
MAINTENANCE MANUAL

PROGRESSIVE INSPECTION PROGRAM

WORK CARD 25 – ZONE 1

➤ The terms used for the item inspection requirements are defined in section 05-20-00.

No.	Chap/Task	Item
1	22-10/3	Auto Flight Servo mount (roll) – Clutch Check
2	22-10/5	Roll actuators and capstan control cables - examine
3	27-10/5	Aileron controls – examine the control cables and pulleys as far as possible. Move the mechanism so that you can see all parts of the cables and make sure the safety clips are fully engaged in the turnbuckles
4	27-10/6	Aileron cable tension – check (Ref. 27-10-00, Page Block 501)
5	27-10/7	Ailerons – functional test (Ref. 27-10-00, Page Block 501)
6	27-20/12	Rudder controls – examine the control cables and pulleys as far as possible. Move the mechanism so that you can see all parts of the cables and make sure the safety clips are fully engaged in the turnbuckles
7	27-20/13	Aileron/rudder interconnect system - make sure the locking mechanism is fully engaged with the flaps at 40° and the sliding parts are lubricated
8	27-20/14	Rudder cable tension – check (Ref. 27-20-00, Page Block 501)
9	27-30/20	Elevator controls – examine the control cables and pulleys as far as possible. Move the mechanism so that you can see all parts of the cables and make sure the safety clips are fully engaged in the turnbuckles
10	27-30/21	Elevator cable tension – check (Ref. 27-30-00, Page Block 501)
11	27-50/27	Flap motor – examine
12	34-00/3	Avionics equipment - examine
13	53-00/3	Floor Panels – remove and examine
14	53-00/4	Seat rails and fuselage inside surface (carpet and floor panels removed) - examine
15	53-00/5	Baggage/freight net mounting plates attachment bolts and surrounding structure - examine for corrosion
16	53-00/6	Baggage compartment - examine

Phase 5 Inspection Items

EFFECTIVITY: All

05-30-00

Page 43
Nov 30/01

PILATUS
PCI2
MAINTENANCE MANUAL

PROGRESSIVE INSPECTION PROGRAM

WORK CARD 26 – ZONE 2

➤ The terms used for the item inspection requirements are defined in section 05-20-00.

No.	Chap/Task	Item
1	22-10/2	Auto Flight Servo mount (pitch and yaw) – Clutch Check
2	22-10/4	Pitch & Yaw actuators and capstan control cables - examine
3	24-40/12	External Power Unit (EPU) receptacle - examine
4	25-60/2	ELT - operational test (Ref. 25-63-01, Page Block 401)
5	25-60/5	ELT installation - examine
6	27-20/10	Rudder electrical bonding straps – examine
7	27-20/15	Rudder – functional test (Ref. 27-20-00, Page Block 501)
8	27-25/16	Rudder trim – operational test (Ref. 27-25-00, Page Block 501)
9	27-30/18	Elevator electrical bonding straps – examine
10	27-30/22	Elevator – functional test (Ref. 27-30-00, Page Block 501)
11	53-00/7	Rear fuselage internal structure - examine as far as possible
12	55-30/3	Stabilizer electrical bonding straps - examine

Phase 6 Inspection Items

EFFECTIVITY: All

05-30-00

Page 44
Nov 30/01

≡PILATUS≡
PC12
MAINTENANCE MANUAL

PROGRESSIVE INSPECTION PROGRAM

WORK CARD 27 – ZONE 4

➤ The terms used for the item inspection requirements are defined in section 05-20-00.

No.	Chap/Task	Item
1	32-20/13	Nose landing gear spring strut Part No. 532.20.12.250 - remove, clean and lubricate (Ref. 32-20-03, Page Blocks 401 and 701)

Phase 6 Inspection Item

EFFECTIVITY: All

05-30-00

≡PILATUS≡
PC12
MAINTENANCE MANUAL

PROGRESSIVE INSPECTION PROGRAM

WORK CARD 28 – ZONE 5

➤ The terms used for the item inspection requirements are defined in section 05-20-00.

No.	Chap/Task	Item
1	24-30/5	Generator 2 (Pre SB 24-010) - Overhaul
2	24-30/7	Drive Assembly (Post SB 24-010) – Inspection/Check
3	73-20/2	P3 Air Filter - Replace

Phase 6 Inspection Items

EFFECTIVITY: All

05-30-00

Page 46
Nov 30/01

≡PILATUS≡
PCI2
MAINTENANCE MANUAL

PROGRESSIVE INSPECTION PROGRAM

GROUND RUN TEST CARD

- ❖ Ref. 71-00-00, Page Block 501 For Test Details
- ❖ Test No. 5 Bleed Valve Closing Point is performed after Engine Installation or after working on the Compressor Bleed Valve.

TEST NO.	TYPE OF TEST	TEST COMPLETION						
		MINI	PH. 1	PH. 2	PH. 3	PH. 4	PH. 5	PH. 6
1	Engine Oil Pressure	X	X	X	X	X	X	X
2	Propeller blade feather		X					
3	DC Generation System							X
4	Maximum Propeller Speed			X				
6	Torque limiter				X			
7	Engine performance			X				
8	Torquemeter function			X				
9	Acceleration				X			
10	Overspeed governor				X			
11	Nf governor					X		
12	FCU dead band					X		
13	Propeller low-pitch warning		X					
14	Ground idle speed						X	
15	Flight idle speed						X	
16	Manual override						X	
17	Reverse power							X
18	ECS		X	X		X		X
19	Engine Stop time	X	X	X	X	X	X	X
20	After engine stop	X	X	X	X	X	X	X

EFFECTIVITY: All

05-30-00

≡PILATUS≡
PCI2
MAINTENANCE MANUAL

PROGRESSIVE INSPECTION PROGRAM

SIGN-OFF SHEET FOR MINI INSPECTION

A/C REG.:	A/C S/N:	A/C HOURS:
WORK CARDS INCLUDED: 1		

W.C. 1	INITIAL	W.C. 1	INITIAL	W.C. 1	INITIAL	W.C. 1	INITIAL	W.C. 1	INITIAL
ITEM 1		ITEM 9		ITEM 17		ITEM 25		ITEM 33	
ITEM 2		ITEM 10		ITEM 18		ITEM 26		ITEM 34	
ITEM 3		ITEM 11		ITEM 19		ITEM 27		ITEM 35	
ITEM 4		ITEM 12		ITEM 20		ITEM 28		ITEM 36	
ITEM 5		ITEM 13		ITEM 21		ITEM 29		ITEM 37	
ITEM 6		ITEM 14		ITEM 22		ITEM 30		ITEM 38	
ITEM 7		ITEM 15		ITEM 23		ITEM 31		ITEM 39	
ITEM 8		ITEM 16		ITEM 24		ITEM 32		ITEM 40	

MINI INSPECTION SIGN – OFF:	DATE:
------------------------------------	--------------

EFFECTIVITY: All

PILATUS
PC12
MAINTENANCE MANUAL

PROGRESSIVE INSPECTION PROGRAM

SIGN-OFF SHEET 1 FOR PHASE 1 INSPECTION

A/C REG.:	A/C S/N:	A/C HOURS:
WORK CARDS INCLUDED: 1, 2, 3, 4, 5, 6, 7, 8, 9, 10, 14, 15, 19, 20, 21		

W.C. 1	INITIAL	W.C. 16	INITIAL	W.C. 3	INITIAL	W.C. 7	INITIAL	W.C. 10	INITIAL
ITEM 1		ITEM 23		ITEM 3		ITEM 6		ITEM 5	
ITEM 2		ITEM 24		ITEM 4		ITEM 7		ITEM 6	
ITEM 3		ITEM 25		ITEM 5		W.C. 8	INITIAL	ITEM 7	
ITEM 4		ITEM 26		ITEM 6		ITEM 1		ITEM 8	
ITEM 5		ITEM 27		ITEM 7		ITEM 2		ITEM 9	
ITEM 6		ITEM 28		ITEM 8		ITEM 3		ITEM 10	
ITEM 7		ITEM 29		W.C. 4	INITIAL	ITEM 4		ITEM 11	
ITEM 8		ITEM 30		ITEM 1		ITEM 5		W.C. 14	INITIAL
ITEM 9		ITEM 31		W.C. 5	INITIAL	ITEM 6		ITEM 1	
ITEM 10		ITEM 32		ITEM 1		ITEM 7		W.C. 15	INITIAL
ITEM 11		ITEM 33		ITEM 2		ITEM 8		ITEM 1	
ITEM 12		ITEM 34		ITEM 3		ITEM 9		W.C. 19	INITIAL
ITEM 13		ITEM 35		W.C. 6	INITIAL	ITEM 10		ITEM 1	
ITEM 14		ITEM 36		ITEM 1		W.C. 9	INITIAL	W.C. 20	INITIAL
ITEM 15		ITEM 37		ITEM 2		ITEM 1		ITEM 1	
ITEM 16		ITEM 38		ITEM 3		ITEM 2		W.C. 21	INITIAL
ITEM 17		ITEM 39		W.C. 7	INITIAL	ITEM 3		ITEM 1	
ITEM 18		W.C. 2	INITIAL	ITEM 1		W.C. 10	INITIAL	ITEM 2	
ITEM 19		ITEM 1		ITEM 2		ITEM 1			
ITEM 20		W.C. 3	INITIAL	ITEM 3		ITEM 2			
ITEM 21		ITEM 1		ITEM 4		ITEM 3			
ITEM 22		ITEM 2		ITEM 5		ITEM 4			

PHASE 1 INSPECTION SIGN – OFF:	DATE:
--------------------------------	-------

EFFECTIVITY: All

05-30-00



PC12

 MAINTENANCE MANUAL

PROGRESSIVE INSPECTION PROGRAM

SIGN-OFF SHEET 1 FOR PHASE 2 INSPECTION

A/C REG.:	A/C S/N:	A/C HOURS:
WORK CARDS INCLUDED: 1, 2, 3, 4, 5, 6, 7, 11, 12, 13, 22		

W.C. 1	INITIAL	W.C. 1	INITIAL	W.C. 3	INITIAL	W.C. 7	INITIAL	W.C. 13	INITIAL
ITEM 1		ITEM 22		ITEM 1		ITEM 3		ITEM 8	
ITEM 2		ITEM 23		ITEM 2		ITEM 4		ITEM 9	
ITEM 3		ITEM 24		ITEM 3		ITEM 5		ITEM 10	
ITEM 4		ITEM 25		ITEM 4		ITEM 6		ITEM 11	
ITEM 5		ITEM 26		ITEM 5		ITEM 7		ITEM 12	
ITEM 6		ITEM 27		ITEM 6		W.C. 11	INITIAL	ITEM 13	
ITEM 7		ITEM 28		ITEM 7		ITEM 1		W.C. 22	INITIAL
ITEM 8		ITEM 29		ITEM 8		ITEM 2		ITEM 1	
ITEM 9		ITEM 30		W.C. 4	INITIAL	ITEM 3		ITEM 2	
ITEM 10		ITEM 31		ITEM 1		ITEM 4		ITEM 3	
ITEM 11		ITEM 32		W.C. 5	INITIAL	ITEM 5		ITEM 4	
ITEM 12		ITEM 33		ITEM 1		W.C. 12	INITIAL	ITEM 5	
ITEM 13		ITEM 34		ITEM 2		ITEM 1		ITEM 6	
ITEM 14		ITEM 35		ITEM 3		W.C. 13	INITIAL	ITEM 7	
ITEM 15		ITEM 36		W.C. 6	INITIAL	ITEM 1		ITEM 8	
ITEM 16		ITEM 37		ITEM 1		ITEM 2		ITEM 9	
ITEM 17		ITEM 38		ITEM 2		ITEM 3			
ITEM 18		ITEM 39		ITEM 3		ITEM 4			
ITEM 19		W.C. 2	INITIAL	W.C. 7	INITIAL	ITEM 5			
ITEM 20		ITEM 1		ITEM 1		ITEM 6			
ITEM 21				ITEM 2		ITEM 7			

PHASE 2 INSPECTION SIGN – OFF:	DATE:
--------------------------------	-------

EFFECTIVITY: All

05-30-00



MAINTENANCE MANUAL

PROGRESSIVE INSPECTION PROGRAM

SIGN-OFF SHEET 1 FOR PHASE 3 INSPECTION

A/C REG.:	A/C S/N:	A/C HOURS:
WORK CARDS INCLUDED: 1, 2, 3, 4, 5, 6, 7, 8, 9, 10, 16, 17, 18, 23		

W.C. 1	INITIAL	W.C. 1	INITIAL	W.C. 3	INITIAL	W.C. 8	INITIAL	W.C. 10	INITIAL
ITEM 1		ITEM 24		ITEM 5		ITEM 1		ITEM 9	
ITEM 2		ITEM 25		ITEM 6		ITEM 2		ITEM 10	
ITEM 3		ITEM 26		ITEM 7		ITEM 3		ITEM 11	
ITEM 4		ITEM 27		ITEM 8		ITEM 4		W.C. 16	INITIAL
ITEM 5		ITEM 28		W.C. 4	INITIAL	ITEM 5		ITEM 1	
ITEM 6		ITEM 29		ITEM 1		ITEM 6		W.C. 17	INITIAL
ITEM 7		ITEM 30		W.C. 5	INITIAL	ITEM 7		ITEM 1	
ITEM 8		ITEM 31		ITEM 1		ITEM 8		ITEM 2	
ITEM 9		ITEM 32		ITEM 2		ITEM 9		W.C. 18	INITIAL
ITEM 10		ITEM 33		ITEM 3		ITEM 10		ITEM 1	
ITEM 11		ITEM 34		W.C. 6	INITIAL	W.C. 9	INITIAL	ITEM 2	
ITEM 12		ITEM 35		ITEM 1		ITEM 1		ITEM 3	
ITEM 13		ITEM 36		ITEM 2		ITEM 2		ITEM 4	
ITEM 14		ITEM 37		ITEM 3		ITEM 3		ITEM 5	
ITEM 15		ITEM 38		W.C. 7	INITIAL	W.C. 10	INITIAL	ITEM 6	
ITEM 16		ITEM 39		ITEM 1		ITEM 1		W.C. 23	INITIAL
ITEM 17		W.C. 2	INITIAL	ITEM 2		ITEM 2		ITEM 1	
ITEM 18		ITEM 1		ITEM 3		ITEM 3		ITEM 2	
ITEM 19		W.C. 3	INITIAL	ITEM 4		ITEM 4		ITEM 3	
ITEM 20		ITEM 1		ITEM 5		ITEM 5		ITEM 4	
ITEM 21		ITEM 2		ITEM 6		ITEM 6		ITEM 5	
ITEM 22		ITEM 3		ITEM 7		ITEM 7		ITEM 6	
ITEM 23		ITEM 4				ITEM 8		ITEM 7	

PHASE 3 INSPECTION SIGN – OFF:	DATE:
--------------------------------	-------

EFFECTIVITY: All

05-30-00

PILATUS
PC12
MAINTENANCE MANUAL

PROGRESSIVE INSPECTION PROGRAM

SIGN-OFF SHEET 1 FOR PHASE 4 INSPECTION

A/C REG.:	A/C S/N:	A/C HOURS:
WORK CARDS INCLUDED: 1, 2, 3, 4, 5, 6, 7, 11, 12, 13, 14, 15, 24		

W.C. 1	INITIAL	W.C. 1	INITIAL	W.C. 3	INITIAL	W.C. 7	INITIAL	W.C. 13	INITIAL
ITEM 1		ITEM 22		ITEM 1		ITEM 3		ITEM 8	
ITEM 2		ITEM 23		ITEM 2		ITEM 4		ITEM 9	
ITEM 3		ITEM 24		ITEM 3		ITEM 5		ITEM 10	
ITEM 4		ITEM 25		ITEM 4		ITEM 6		ITEM 11	
ITEM 5		ITEM 26		ITEM 5		ITEM 7		ITEM 12	
ITEM 6		ITEM 27		ITEM 6		W.C. 11	INITIAL	ITEM 13	
ITEM 7		ITEM 28		ITEM 7		ITEM 1		W.C. 14	INITIAL
ITEM 8		ITEM 29		ITEM 8		ITEM 2		ITEM 1	
ITEM 9		ITEM 30		W.C. 4	INITIAL	ITEM 3		W.C. 15	INITIAL
ITEM 10		ITEM 31		ITEM 1		ITEM 4		ITEM 1	
ITEM 11		ITEM 32		W.C. 5	INITIAL	ITEM 5		W.C. 24	INITIAL
ITEM 12		ITEM 33		ITEM 1		W.C. 12	INITIAL	ITEM 1	
ITEM 13		ITEM 34		ITEM 2		ITEM 1		ITEM 2	
ITEM 14		ITEM 35		ITEM 3		W.C. 13	INITIAL	ITEM 3	
ITEM 15		ITEM 36		W.C. 6	INITIAL	ITEM 1		ITEM 4	
ITEM 16		ITEM 37		ITEM 1		ITEM 2		ITEM 5	
ITEM 17		ITEM 38		ITEM 2		ITEM 3		ITEM 6	
ITEM 18		ITEM 39		ITEM 3		ITEM 4		ITEM 7	
ITEM 19		W.C. 2	INITIAL	W.C. 7	INITIAL	ITEM 5			
ITEM 20		ITEM 1		ITEM 1		ITEM 6			
ITEM 21				ITEM 2		ITEM 7			

PHASE 4 INSPECTION SIGN – OFF:	DATE:
--------------------------------	-------

EFFECTIVITY: All

05-30-00



MAINTENANCE MANUAL

PROGRESSIVE INSPECTION PROGRAM

SIGN-OFF SHEET 1 FOR PHASE 5 INSPECTION

A/C REG.:	A/C S/N:	A/C HOURS:
WORK CARDS INCLUDED: 1, 2, 3, 4, 5, 6, 7, 8, 9, 10, 25		

W.C. 1	INITIAL	W.C. 2	INITIAL	W.C. 3	INITIAL	W.C. 8	INITIAL	W.C. 10	INITIAL
ITEM 1		ITEM 24		ITEM 4		ITEM 1		ITEM 9	
ITEM 2		ITEM 25		ITEM 5		ITEM 2		ITEM 10	
ITEM 3		ITEM 26		ITEM 6		ITEM 3		ITEM 11	
ITEM 4		ITEM 27		ITEM 7		ITEM 4		W.C. 25	INITIAL
ITEM 5		ITEM 28		ITEM 8		ITEM 5		ITEM 1	
ITEM 6		ITEM 29		W.C. 4	INITIAL	ITEM 6		ITEM 2	
ITEM 7		ITEM 30		ITEM 1		ITEM 7		ITEM 3	
ITEM 8		ITEM 31		W.C. 5	INITIAL	ITEM 8		ITEM 4	
ITEM 9		ITEM 32		ITEM 1		ITEM 9		ITEM 5	
ITEM 10		ITEM 33		ITEM 2		ITEM 10		ITEM 6	
ITEM 11		ITEM 34		ITEM 3		W.C. 9	INITIAL	ITEM 7	
ITEM 12		ITEM 35		W.C. 6	INITIAL	ITEM 1		ITEM 8	
ITEM 13		ITEM 36		ITEM 1		ITEM 2		ITEM 9	
ITEM 14		ITEM 37		ITEM 2		ITEM 3		ITEM 10	
ITEM 15		ITEM 38		ITEM 3		W.C. 10	INITIAL	ITEM 11	
ITEM 16		ITEM 39		W.C. 7	INITIAL	ITEM 1		ITEM 12	
ITEM 17		W.C. 2	INITIAL	ITEM 1		ITEM 2		ITEM 13	
ITEM 18		ITEM 1		ITEM 2		ITEM 3		ITEM 14	
ITEM 19		W.C. 3	INITIAL	ITEM 3		ITEM 4		ITEM 15	
ITEM 20		ITEM 1		ITEM 4		ITEM 5		ITEM 16	
ITEM 21		ITEM 2		ITEM 5		ITEM 6			
ITEM 22		ITEM 3		ITEM 6		ITEM 7			
ITEM 23				ITEM 7		ITEM 8			

PHASE 5 INSPECTION SIGN – OFF:	DATE:
--------------------------------	-------

EFFECTIVITY: All

05-30-00

≡PILATUS≡
PC12
MAINTENANCE MANUAL

PROGRESSIVE INSPECTION PROGRAM

SIGN-OFF SHEET 1 FOR PHASE 6 INSPECTION

A/C REG.:	A/C S/N:	A/C HOURS:
WORK CARDS INCLUDED: 1, 2, 3, 4, 5, 6, 7, 11, 12, 13 16, 17, 18, 26, 27, 28		

W.C. 1	INITIAL	W.C. 1	INITIAL	W.C. 4	INITIAL	W.C. 12	INITIAL	W.C. 26	INITIAL
ITEM 1		ITEM 26		ITEM 1		ITEM 1		ITEM 2	
ITEM 2		ITEM 27		W.C. 5	INITIAL	W.C. 13	INITIAL	ITEM 3	
ITEM 3		ITEM 28		ITEM 1		ITEM 1		ITEM 4	
ITEM 4		ITEM 29		ITEM 2		ITEM 2		ITEM 5	
ITEM 5		ITEM 30		ITEM 3		ITEM 3		ITEM 6	
ITEM 6		ITEM 31		W.C. 6	INITIAL	ITEM 4		ITEM 7	
ITEM 7		ITEM 32		ITEM 1		ITEM 5		ITEM 8	
ITEM 8		ITEM 33		ITEM 2		ITEM 6		ITEM 9	
ITEM 9		ITEM 34		ITEM 3		ITEM 7		ITEM 10	
ITEM 10		ITEM 35		W.C. 7	INITIAL	ITEM 8		ITEM 11	
ITEM 11		ITEM 36		ITEM 1		ITEM 9		ITEM 12	
ITEM 12		ITEM 37		ITEM 2		ITEM 10		W.C. 27	INITIAL
ITEM 13		ITEM 38		ITEM 3		ITEM 11		ITEM 1	
ITEM 14		ITEM 39		ITEM 4		W.C. 16	INITIAL	W.C. 28	INITIAL
ITEM 15		W.C. 2	INITIAL	ITEM 5		ITEM 1		ITEM 1	
ITEM 16		ITEM 1		ITEM 6		W.C. 17	INITIAL	ITEM 2	
ITEM 17		W.C. 3	INITIAL	ITEM 7		ITEM 1		ITEM 3	
ITEM 18		ITEM 1		ITEM 8		ITEM 2			
ITEM 19		ITEM 2		W.C. 11	INITIAL	W.C. 18	INITIAL		
ITEM 20		ITEM 3		ITEM 1		ITEM 1			
ITEM 21		ITEM 4		ITEM 2		ITEM 2			
ITEM 22		ITEM 5		ITEM 3		ITEM 3			
ITEM 23		ITEM 6		ITEM 4		ITEM 4			
ITEM 24		ITEM 7		ITEM 5		W.C. 26	INITIAL		
ITEM 25		ITEM 8				ITEM 1			

PHASE 6 INSPECTION SIGN – OFF:	DATE:
---------------------------------------	--------------

EFFECTIVITY: All

05-30-00