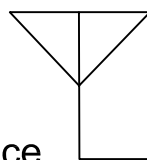
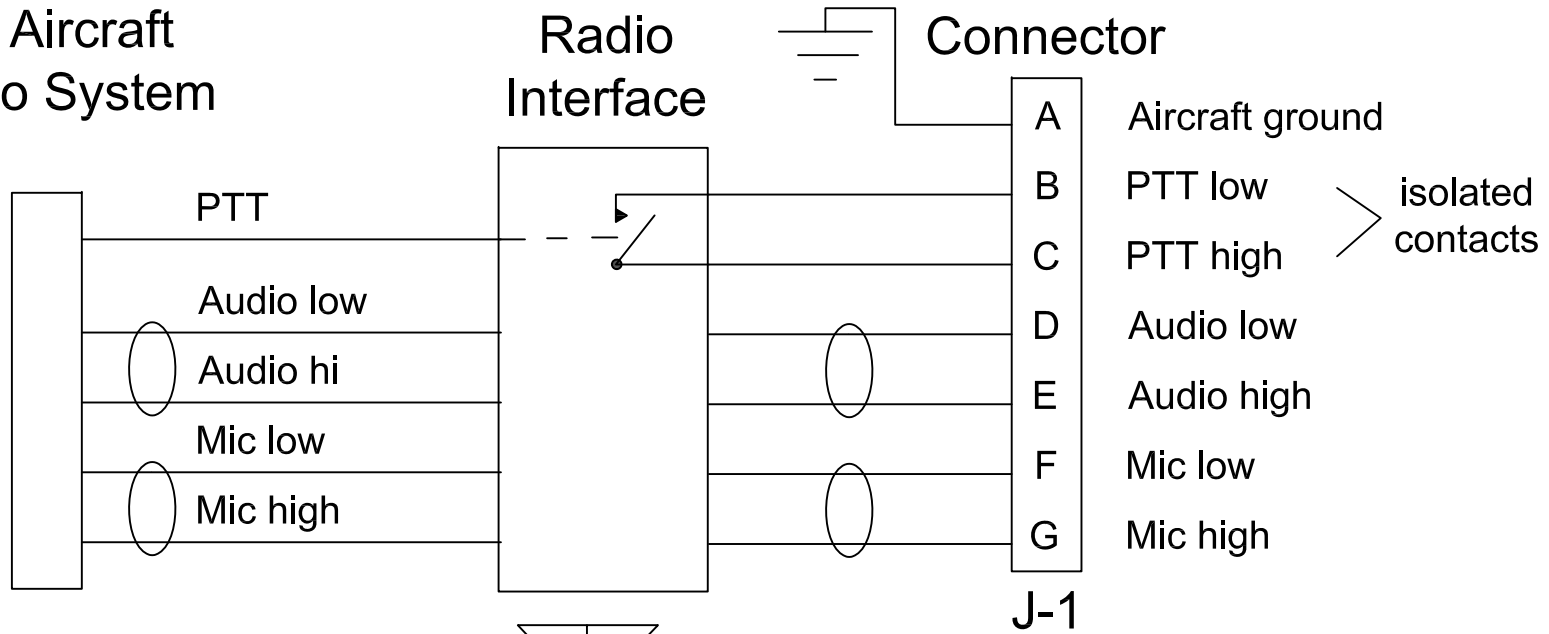


To Aircraft Audio System

Radio Interface

AUX-FM Connector



J-1

J-2

Parts for the AUX-FM Radio Interface

- J-1: MS3112E12-10S (mates with MS3116F12-10P)
- J-2: UG-492B/U female bulkhead BNC
- VHF-FM Antenna: COMANT CI 177-1 or equivalent
- Radio Interface: AEM AA34-200, Jupiter Avionics JA34-001 or equivalent

VHF-FM Antenna

FS/OAS drawings are available at:
www.nifc.gov/NIICD/documents.html

RevNo	Revision note	Date	Initials	Checked	National Interagency Fire Center (NIFC)				Avionics (208) 387-5648	
E	Corrected contract version mic high/mic low pin swap	06/17/1999	FAS	BC	Designed by E.KOENIG	Checked by B.CRAMPION	Approved by - date 12/01/1991	Filename 110001G	Date 02/02/2017	Scale NONE
F	Clarify PTT operation, add E.Koenig as designer and add J-1 mate	06/22/1999	FAS	BC						
G	Updated drawing, parts and contact number	02/02/2017	FAS	Group						
U.S. FOREST SERVICE					AUX-FM RADIO INTERFACE					
					FS/OAS A-17				Revision G	Sheet 1/1